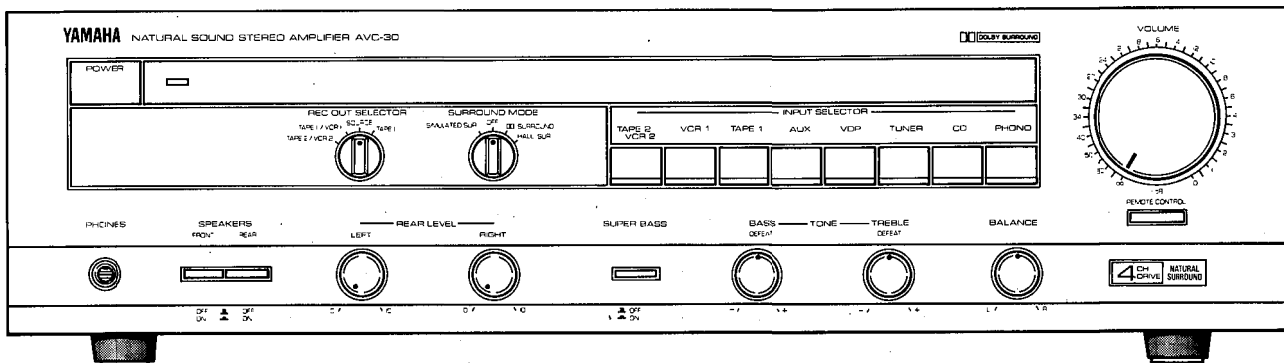


STEREO AV AMPLIFIER AVC-30/30U/AV-34

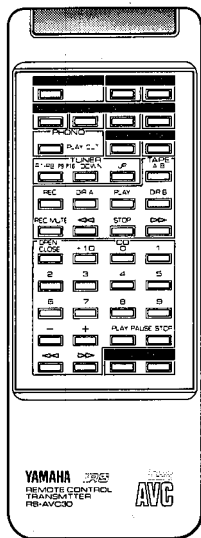
AVC-30/30U/
AV-34

SERVICE MANUAL

● AVC-30



● RS-AVC30



IMPORTANT NOTICE

This manual has been provided for the use of authorized Yamaha Retailers and their service personnel. It has been assumed that basic service procedures inherent to the industry, and more specifically Yamaha Products, are already known and understood by the users, and have therefore not been restated.

WARNING: Failure to follow appropriate service and safety procedures when servicing this product may result in personal injury, destruction of expensive components and failure of the product to perform as specified. For these reasons, we advise all Yamaha product owners that all service required should be performed by an authorized Yamaha Retailer or the appointed service representative.

IMPORTANT: The presentation or sale of this manual to any individual or firm does not constitute authorization, certification or recognition of any applicable technical capabilities, or establish a principle-agent relationship of any form.

The data provided is believed to be accurate and applicable to the unit(s) indicated on the cover. The research, engineering, and service departments of Yamaha are continually striving to improve Yamaha products. Modifications are, therefore, inevitable and specifications are subject to change without notice or obligation to retrofit. Should any discrepancy appear to exist, please contact the distributor's Service Division.

WARNING: Static discharges can destroy expensive components. Discharge any static electricity your body may have accumulated by grounding yourself to the ground buss in the unit (heavy gauge black wires connect to this buss).

IMPORTANT: Turn the unit OFF during disassembly and parts replacement. Recheck all work before you apply power to the unit.

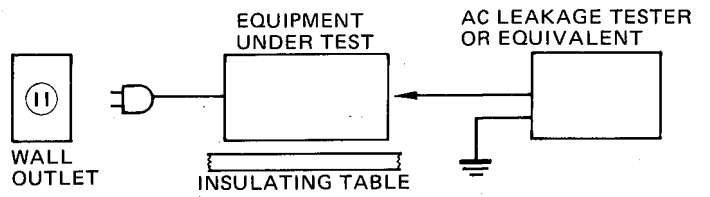
■ CONTENTS

| | | | |
|------------------------------|-----|--|---------|
| TO SERVICE PERSONNEL | 1 | ADJUSTMENTS | 6 |
| FRONT PANELS | 1 | IC BLOCK | 7 ~ 9 |
| REAR PANELS | 2/3 | PRINTED CIRCUIT BOARD | 10 ~ 14 |
| SPECIFICATIONS | 4 | WIRING | 15 |
| BLOCK DIAGRAM | 5 | SCHEMATIC DIAGRAM | 16/17 |
| INTERNAL VIEW | 5 | RS-AVC30 REMOTE CONTROL TRANSMITTER .. | 18 |
| DISASSEMBLY PROCEDURES | 6 | PARTS LIST | 19 ~ 29 |



TO SERVICE PERSONNEL

- Critical Components Information.**
Components having special characteristics are marked Δ and must be replaced with parts having specifications equal to those originally installed.
 - Leakage Current Measurement (For 120V Model Only).**
When service has been completed, it is imperative that you verify that all exposed conductive surfaces are properly insulated from supply circuits.
- Meter impedance should be equivalent to 1500 ohm shunted by 0.15 μ F.
 - Leakage current must not exceed 0.5mA.
 - Be sure to test for leakage with the AC plug in both polarities.

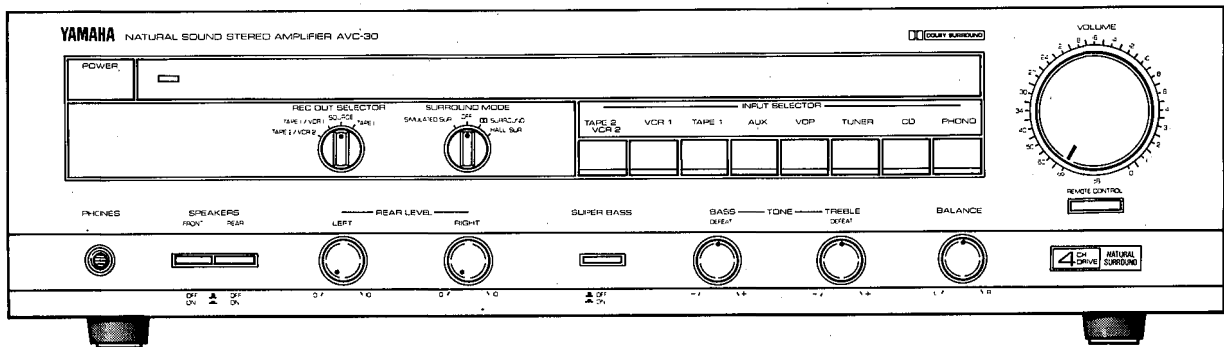


■ POLARIZATION (U, C models only)

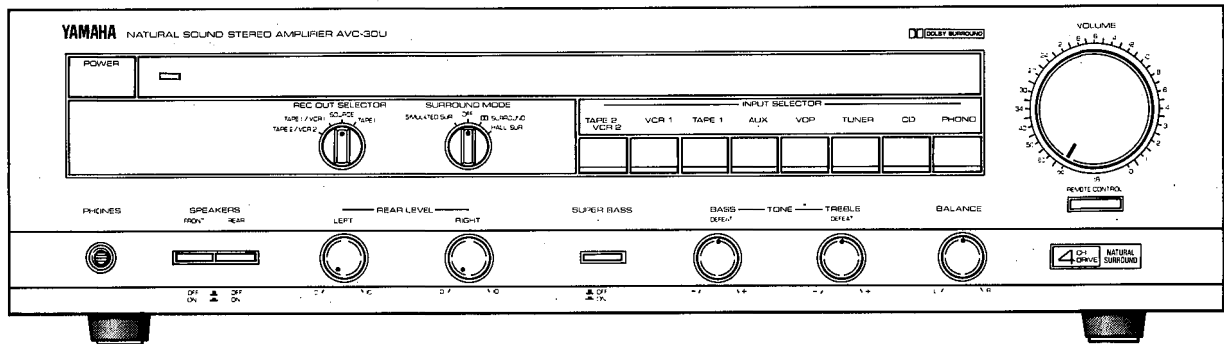
This tuner product is equipped with a polarized alternating-current line plug (a plug having one blade wider than the other). This plug will fit into the power outlet only one way. This is a safety feature.

FRONT PANELS

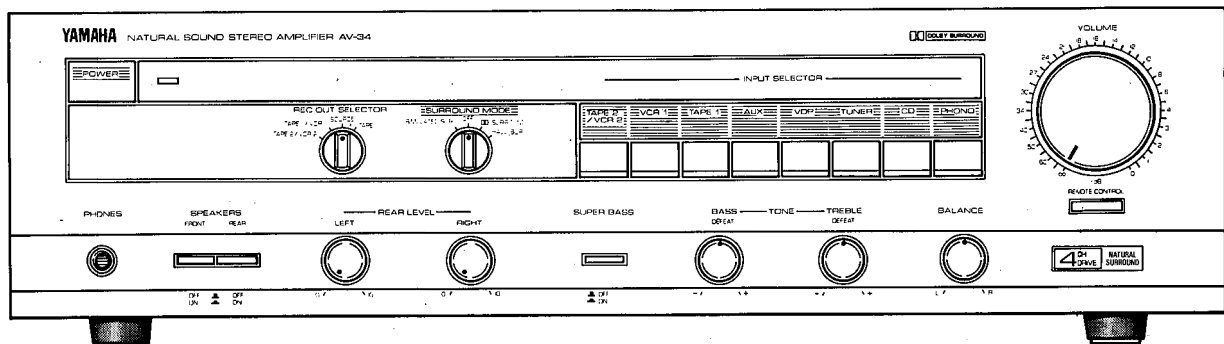
● AVC-30



● AVC-30U

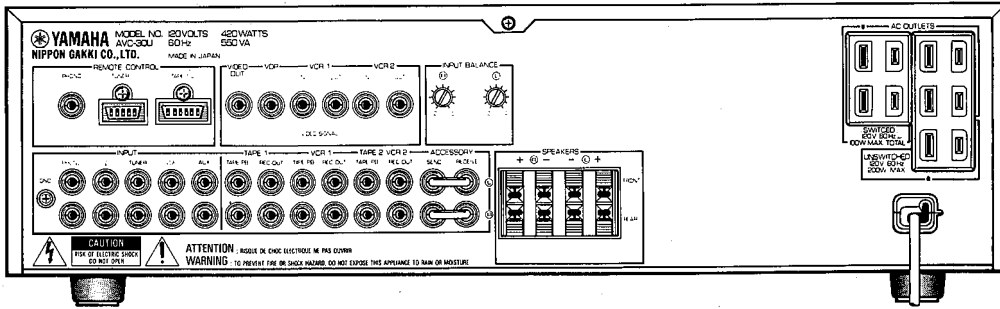


● AV-34

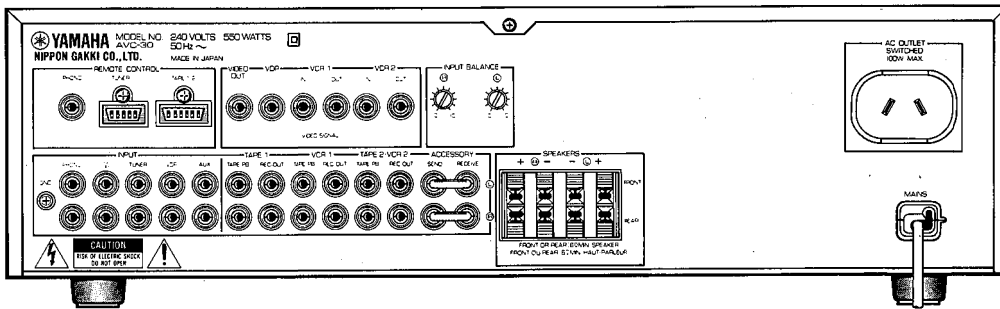


REAR PANELS (AVC-30/30U)

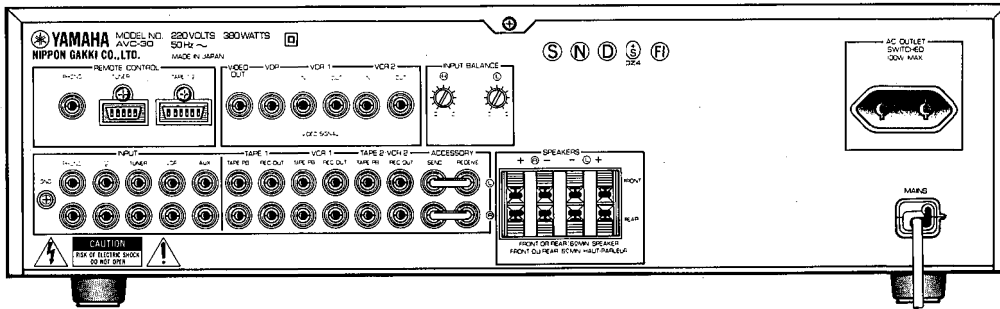
▼ U, C models



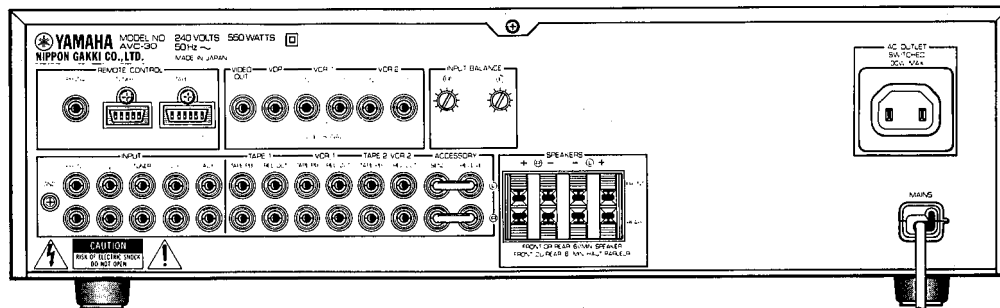
▼ A model



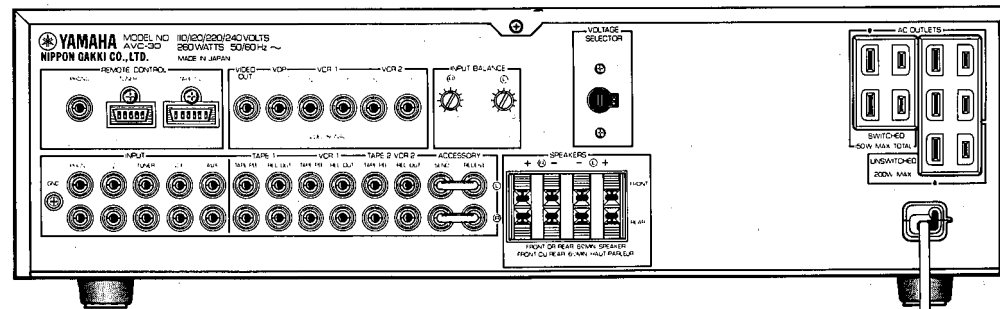
▼ G model



▼ B model



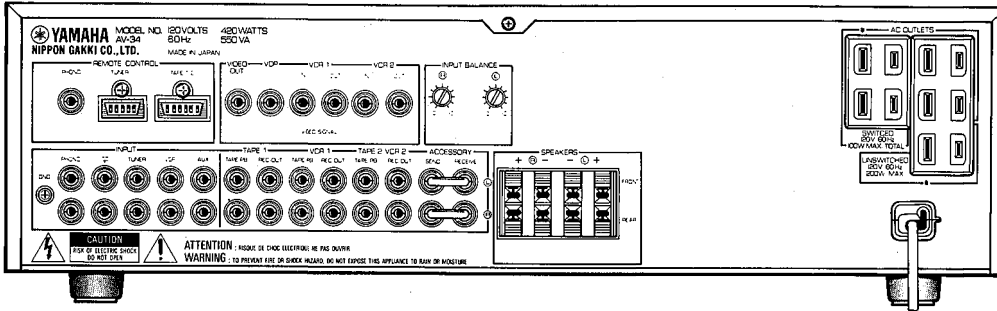
▼ R model



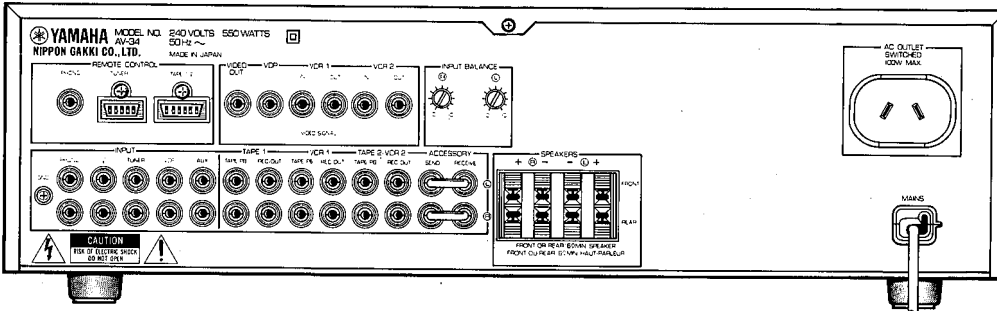
AVC-30/30U / AV-34

REAR PANELS (AV-34)

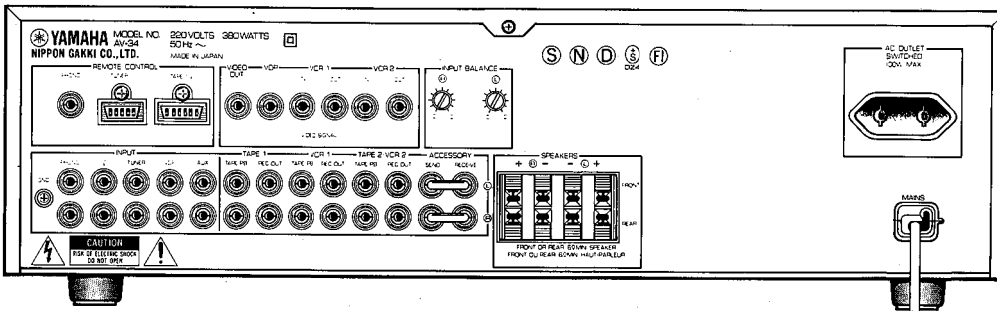
U, C models



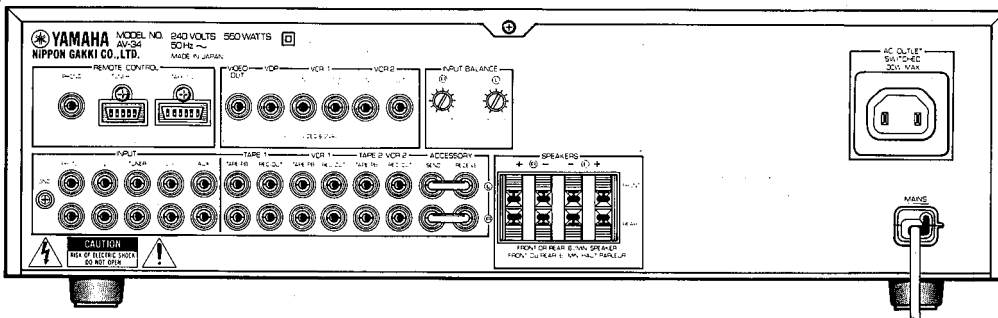
A model



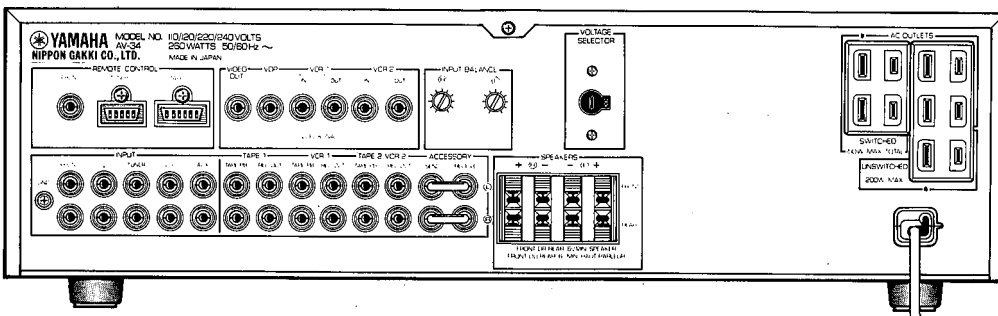
G model



B model



R model



■ SPECIFICATIONS

■ AUDIO SECTION

| | |
|--|--|
| Minimum RMS Output Power per Channel | |
| 8 ohms, FRONT 20Hz to 20kHz, 0.05% THD | 100W (Except Europe model) 80W (Europe model) |
| 8 ohms, REAR 1kHz, 0.5% THD | 20W (SIMULATED SURROUND or NATURAL SURROUND) |
| Damping Factor (8 ohms, 1kHz) | 50 |
| Input Sensitivity/Impedance | |
| PHONO MM | 2.5mV/47 k-ohms |
| VIDEO | 1Vp-p/75 ohms |
| CD/TAPE/TUNER/AUX/ VDP/VCR/ACCESSORY | 150mV/47 k-ohms |
| Maximum Input Level (1kHz, 0.01% THD) | |
| PHONO MM | 130mV |
| Output Level/Impedance | |
| REC OUT | 150mV/470 ohms |
| VIDEO | 1Vp-p/75 ohms |
| Headphone Jack Rated Output/Impedance | |
| 8 ohms, 0.05% THD | 0.8V/270 ohms |
| Frequency Response (20Hz to 20kHz) | |
| CD/TAPE/TUNER/AUX/ VDP/VCR/ACCESSORY | 0 ± 0.5dB |
| RIAA Equalization Deviation | |
| PHONO MM | ±0.5dB |
| Total Harmonic Distortion (20Hz to 20kHz) | |
| PHONO MM (3V) | 0.008% |
| CD/TAPE/TUNER to SP OUT (50W/8 ohms) | 0.05% |
| Signal to Noise Ratio (IHF-A Network) | |
| PHONO MM (5mV Input Shorted) | 80dB |
| CD/TAPE/TUNER/AUX/ VDP/VCR/ACCESSORY (Shorted) | 100dB |
| Residual Noise (IHF-A Network) | |
| | 150µV |
| Channel Separation (1kHz, Vol. -30dB) | |
| PHONO MM Input Shorted | 60dB |
| CD/TAPE/TUNER/AUX/ VDP/VCR/ACCESSORY Input 5.1k-ohms Terminated | 60dB |
| Tone Control Characteristics | |
| BASS | |
| boost/cut | ±10dB (50Hz) |
| turnover frequency | 350Hz |
| TREBLE | |
| boost/cut | ±10dB (20kHz) |
| turnover frequency | 3.5kHz |
| BASS EXTENTION | 75Hz + 7dB |

■ GENERAL

| | |
|-------------------------------|---|
| Power Supply | |
| Europe Model | 220V, 50Hz |
| General Model | 110/120/220/240V, 50/60Hz |
| U.K. and Australia Models | 240V, 50Hz |
| U.S.A. and Canadian Models | 120V, 60Hz |
| Power Consumption | |
| Europe Model | 380W |
| General Model | 260W |
| U.K. and Australia Models | 260W |
| U.S.A. and Canadian Models | 420W (550 VA) |
| AC Outlets | |
| Switched x 4 | 150W max. (Total) (General model) 100W max. (Total) (U.S.A., Canada, Europe, U.K. and Australia models) |
| Unswitched x 1 | 200W max. (U.S.A., General and Canada models) |
| Dimensions (W x H x D) | |
| | 435 x 123.6 x 314.5 mm (17-1/8" x 4-7/8" x 12-3/8") |
| Weight | |
| | 10.2 kg (22 lbs. 8 oz.) |
| Accessories | |
| | Remote control cable (mini-plug) x 1 |
| | Remote control cable (5-pin) x 1 |
| | Remote control cable (6-pin) x 1 |
| | Remote control transmitter (RS-AVC30) x 1 |
| | Battery (size "AA", R06) x 2 |

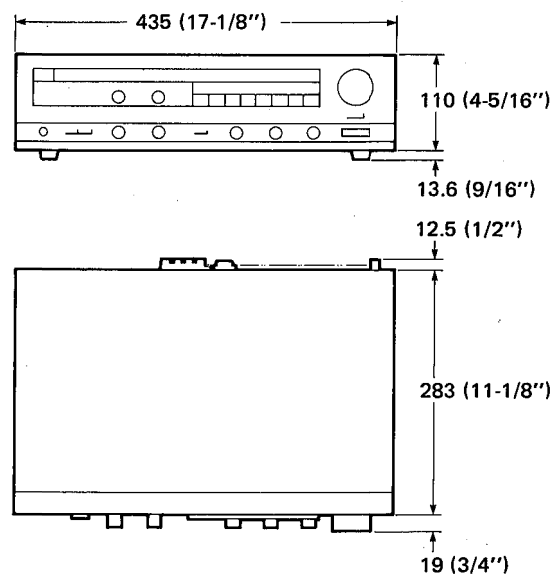
Specifications subject to change without notice.

- (U) U.S.A. model
- (C) Canadian model
- (A) Australian model
- (G) European model
- (B) U.K. model
- (R) General model

□ □ DOLBY SURROUND

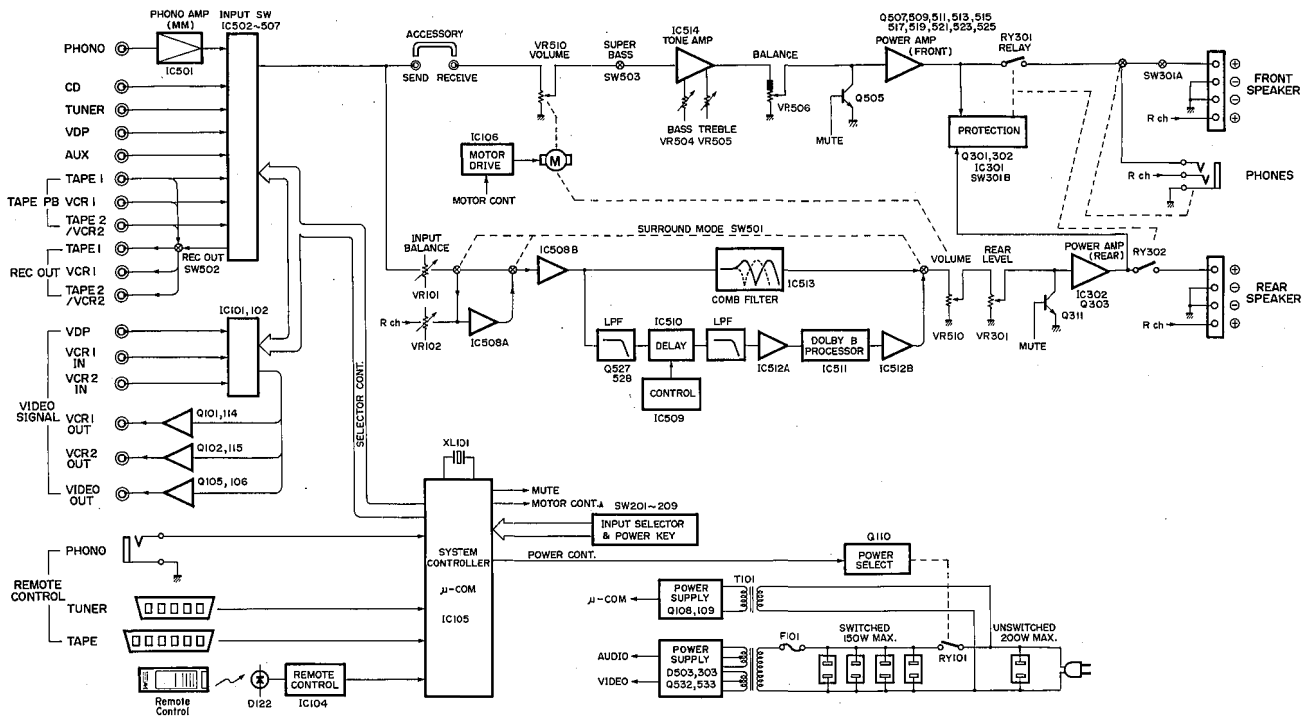
Manufactured under license from Dolby Laboratories Licensing Corporation. Additionally licensed under one or more of the following patents: U.S. numbers 3,632,886, 3,746,792, and 3,959,590, Canada numbers 1,004,603 and 1,037,877. "Dolby" and the double-D symbol are trademarks of Dolby Laboratories Licensing Corporation.

● DIMENSIONS

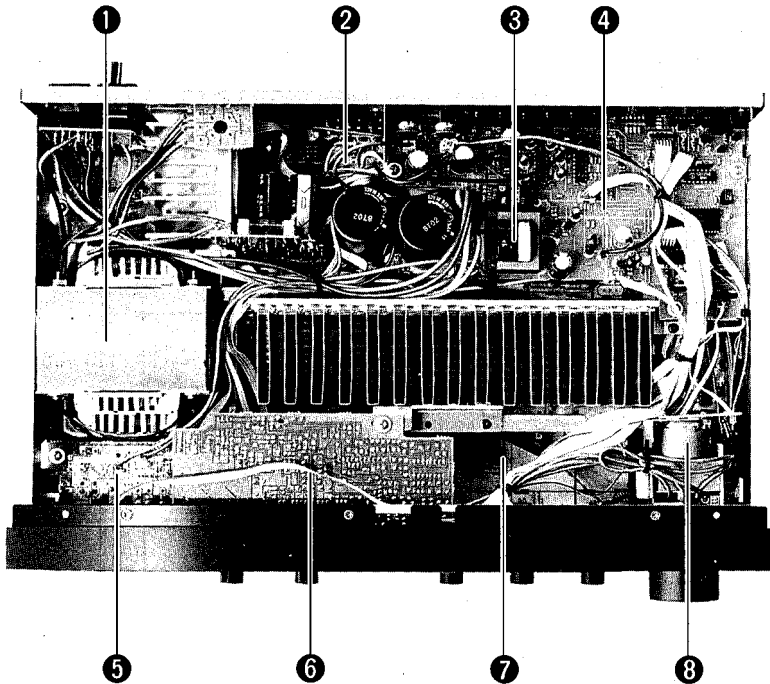


Unit : mm (inch)

BLOCK DIAGRAM



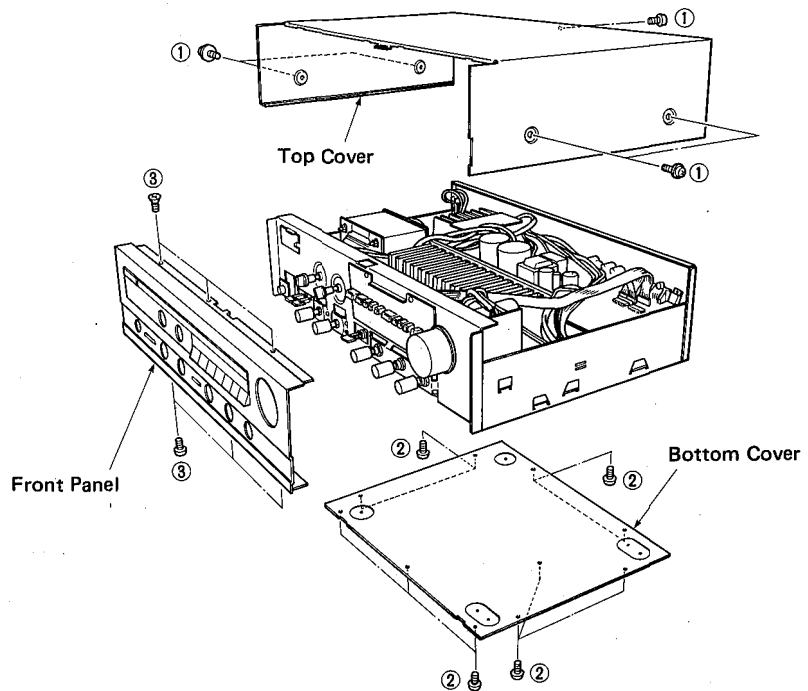
INTERNAL VIEW



- ① POWER TRANSFORMER (Main)
R model: XC683001
U model: XC684001
A, B models: XC685001
G model: XC686001
C model: XC687001
- ② MAIN CIRCUIT BOARD (1)
- ③ POWER TRANSFORMER (Sub)
R model: XC082001
U, C models: XC083001
A, G, B models: XC084001
- ④ μ-COM CIRCUIT BOARD (1)
- ⑤ μ-COM CIRCUIT BOARD (3)
- ⑥ MAIN CIRCUIT BOARD (3)
- ⑦ MAIN CIRCUIT BOARD (2)
- ⑧ MOTOR VOLUME

DISASSEMBLY PROCEDURES

1. Removal of Top Cover
Remove 5 screws (①).
2. Removal of Bottom Cover
Remove 10 screws (②).
3. Remove of Front Panel
Remove 6 screws (③).



ADJUSTMENTS

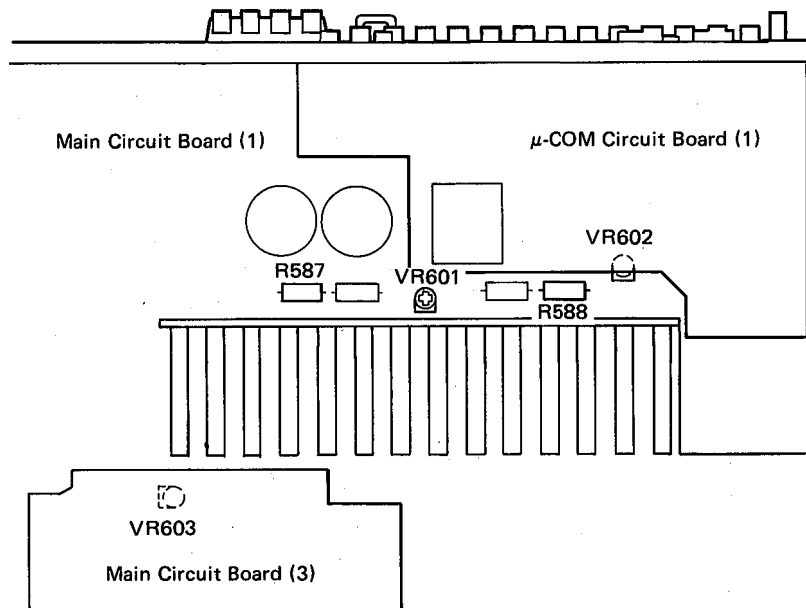
● Idling Adjustment

To stabilize operation of the amplifier, turn ON the power in the no-signal state and wait for two minutes before the adjustment.

Adjust VR601 (Lch) and VR602 (Rch) so that the voltage at both R587 (Lch) and R588 (Rch) becomes DC3mV to 4mV.

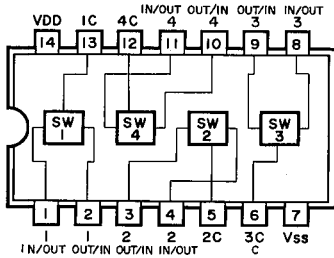
● Dolby Surround Distortion Factor Adjustment

With INPUT BALANCE and VOLUME set to their maximum, apply a 1kHz, 150mV signal. Adjust REAR LEVEL so that 1.5V REAR output is obtained, then adjust VR603 so that the distortion factor of the REAR output becomes less than 1%.

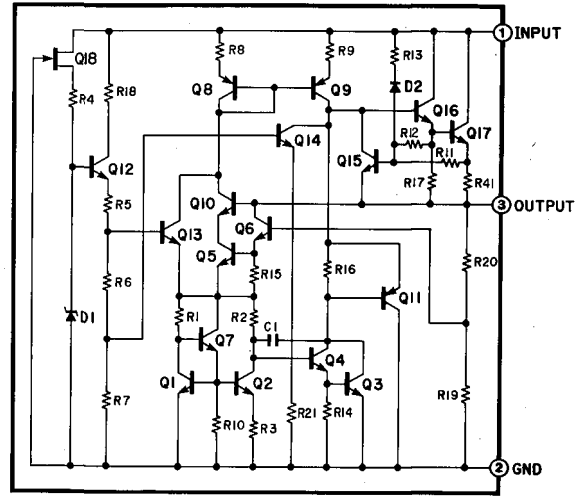


IC BLOCK

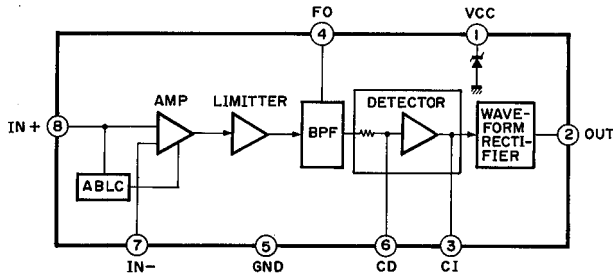
IC101, 102: TC4066P or LC4066B
IC502 ~ 507: LC4966
(Quad Bilateral Switch)



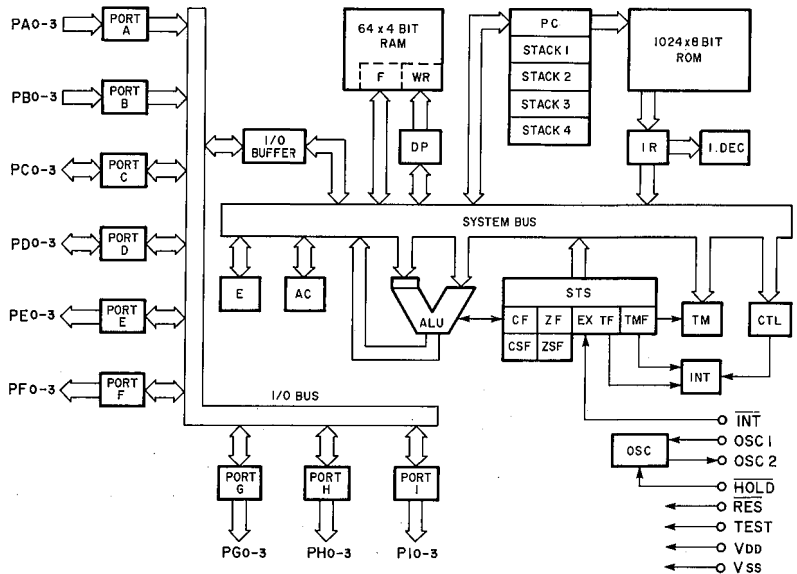
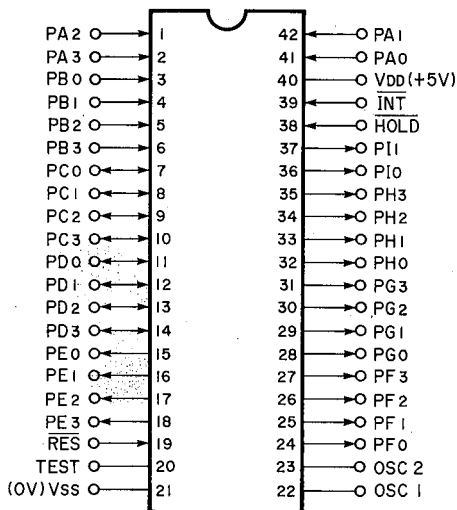
IC103: NJM78M08A
(Regulator)



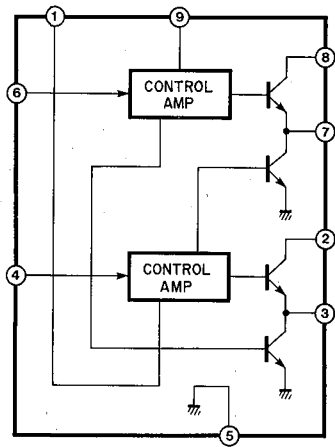
IC104: μ PC1490HA
(Infrared Ray Remote Control Receiving System)



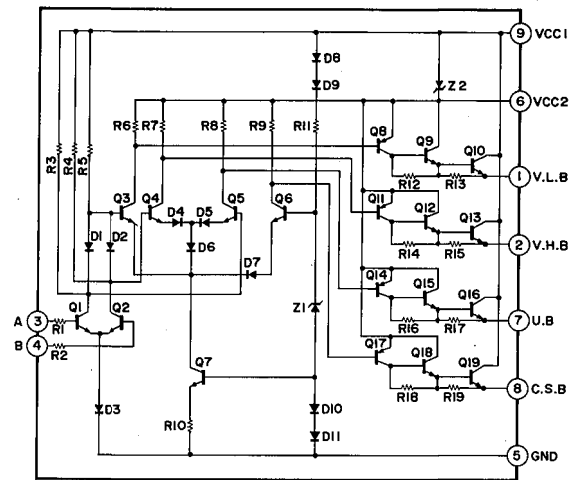
IC105: LC6505C
(4 bit μ -COM)



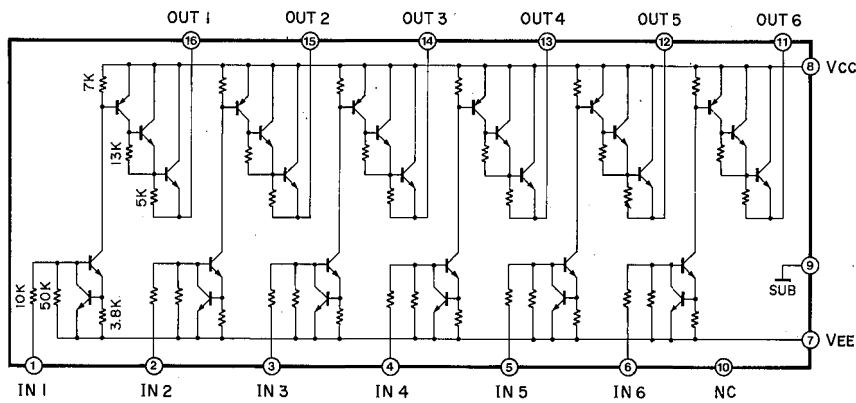
IC106: M54542 (Motor Driver)



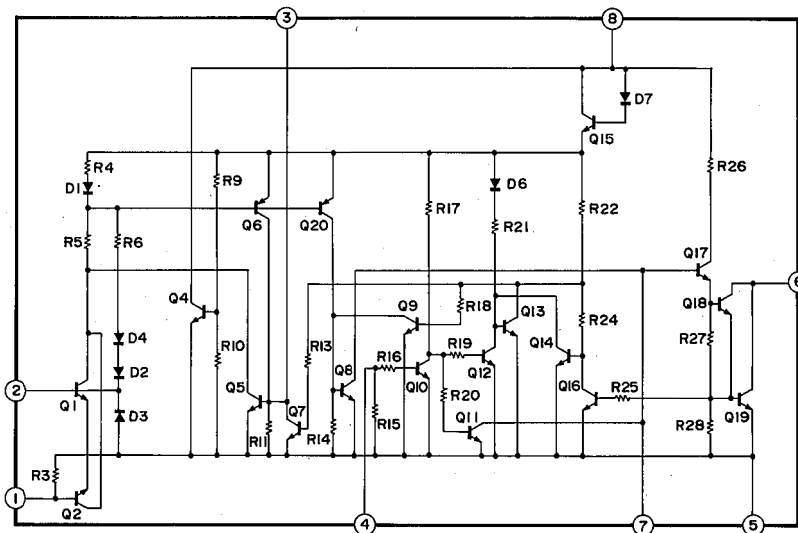
IC107: LA7910 (Band Switch)



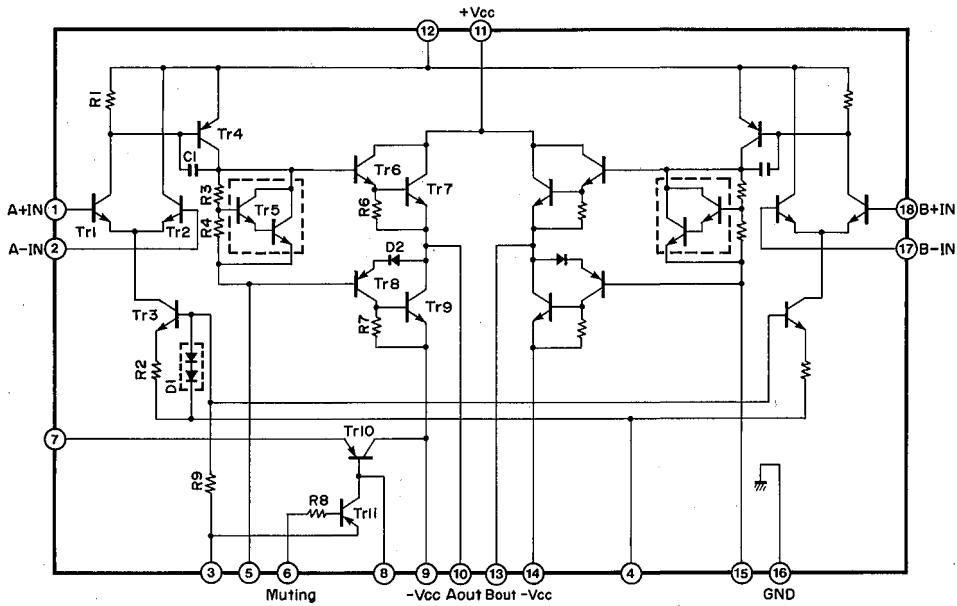
IC108, 109: LB1294 (LED Driver)



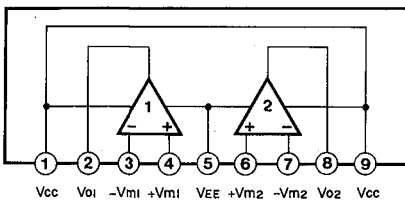
IC301: μ PC1237H (Relay Driver)



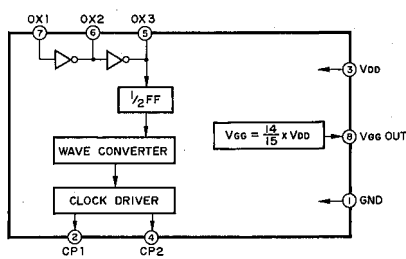
IC302: STK4141II (Power Amp)



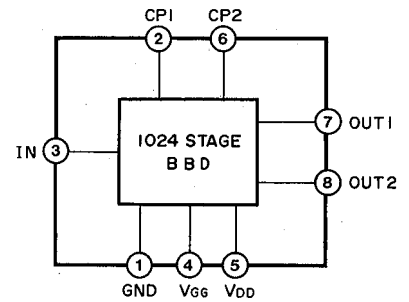
IC501, 508: μ PC4570HA
 IC512, 513: NJM4558S
 IC514: NJM2041S
 (Dual Ope-amp)



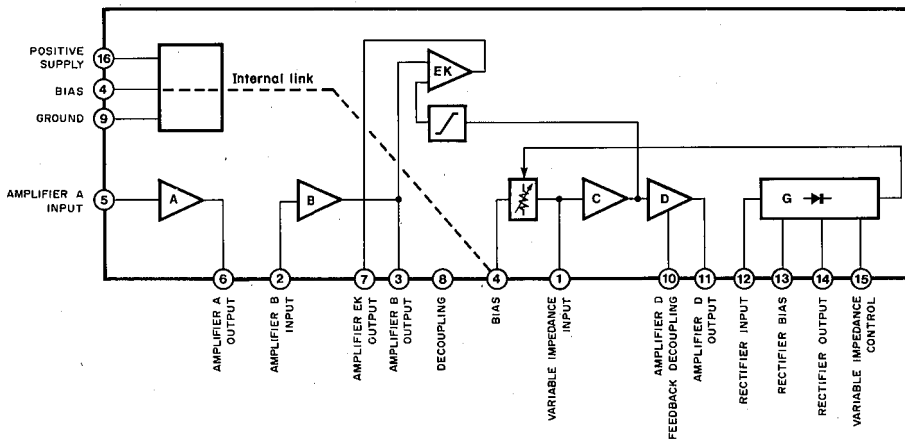
IC509: MN3101
 (Delay Time Controller)



IC510: MN3007Y
 (Delay)



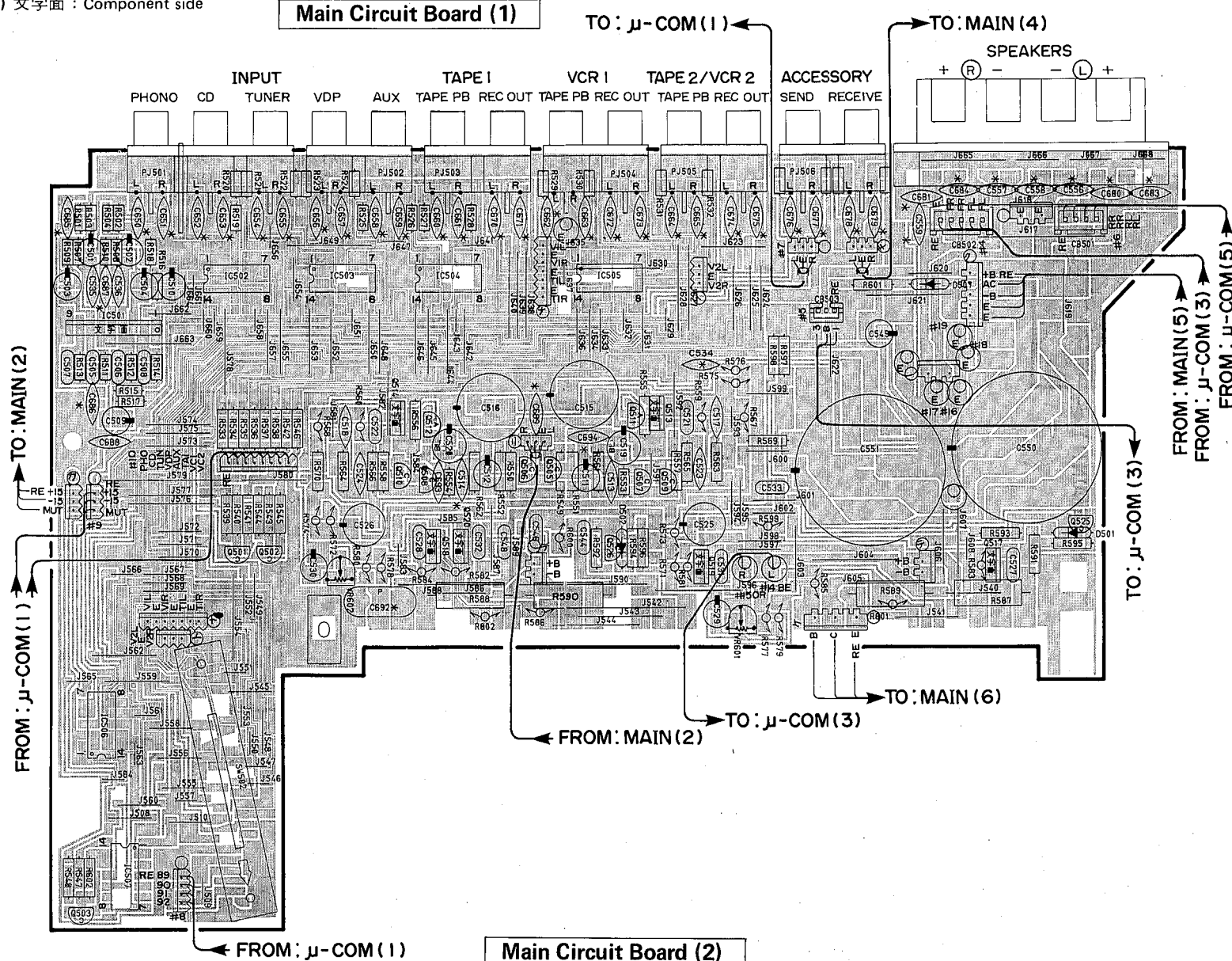
IC511: LM1112CN
 (Dolby B-Type Noise Reduction Processor)



PRINTED CIRCUIT BOARD (Pattern side)

Note) 文字面 : Component side

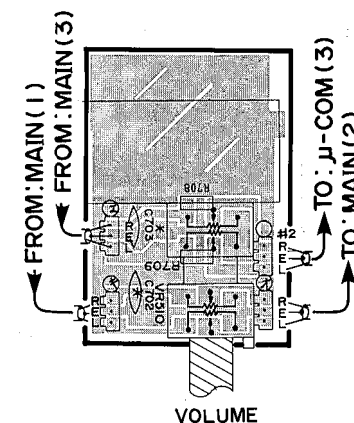
Main Circuit Board (1)



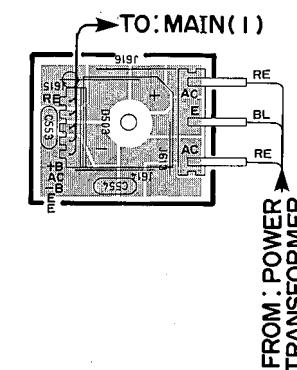
Note) * marked

| | J, R, U, A, C, B | G |
|-----------------------|------------------|-----------|
| C534, 556 ~ 559 | OPEN | 0.1/25 |
| C652 ~ 665, 670 ~ 679 | OPEN | 470P |
| C650, 651 | OPEN | 100P |
| R710 ~ 713 | SHORT | 2.2K |
| C680, 681, 683, 684 | OPEN | 0.033 |
| C687 ~ 691 | OPEN | 0.1/25 |
| C685, 686, 702, 703 | OPEN | 0.022 |
| C692 | OPEN | 0.047/100 |
| C693, 694 | OPEN | 220P |

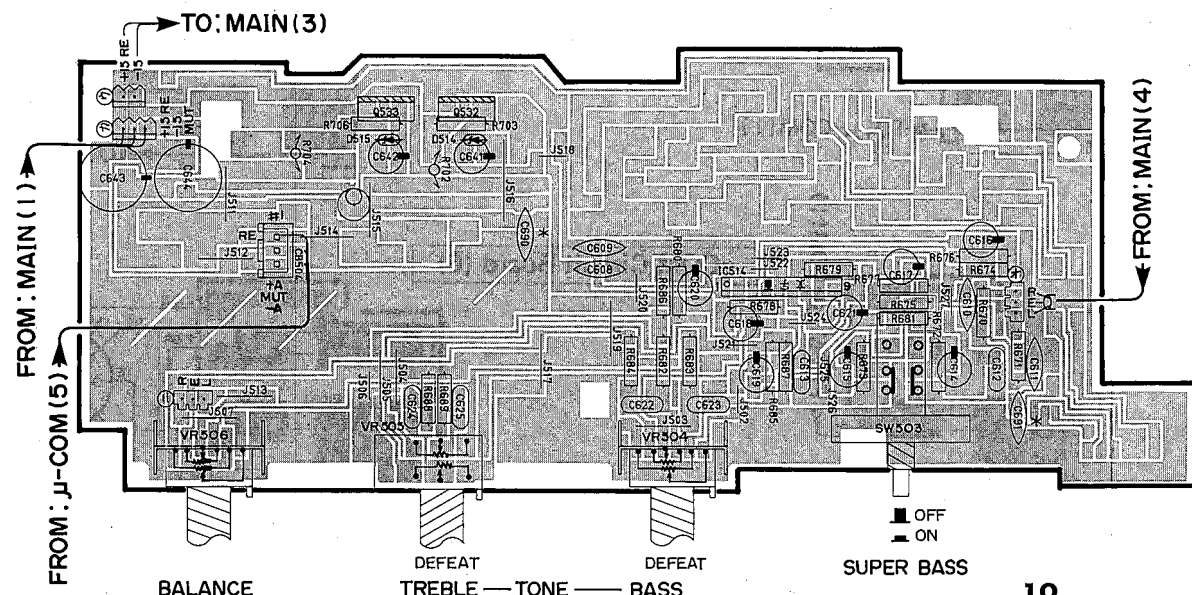
Main Circuit Board (4)



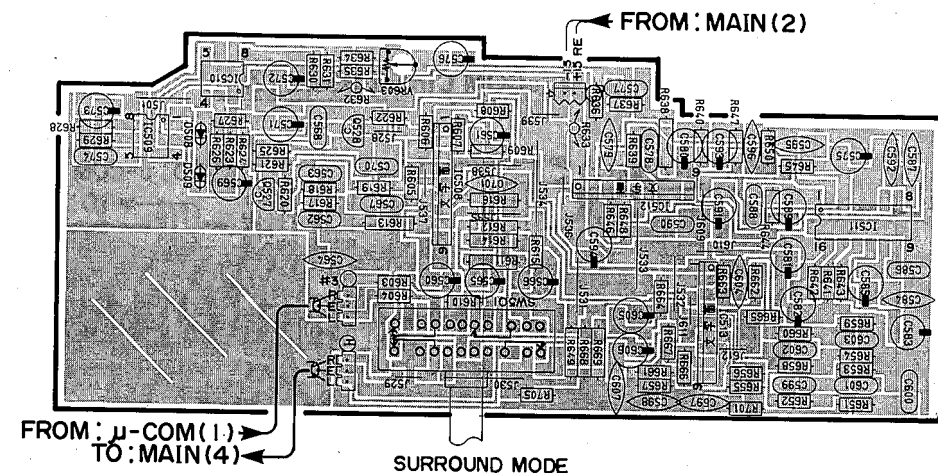
Main Circuit Board (5)



Main Circuit Board (2)



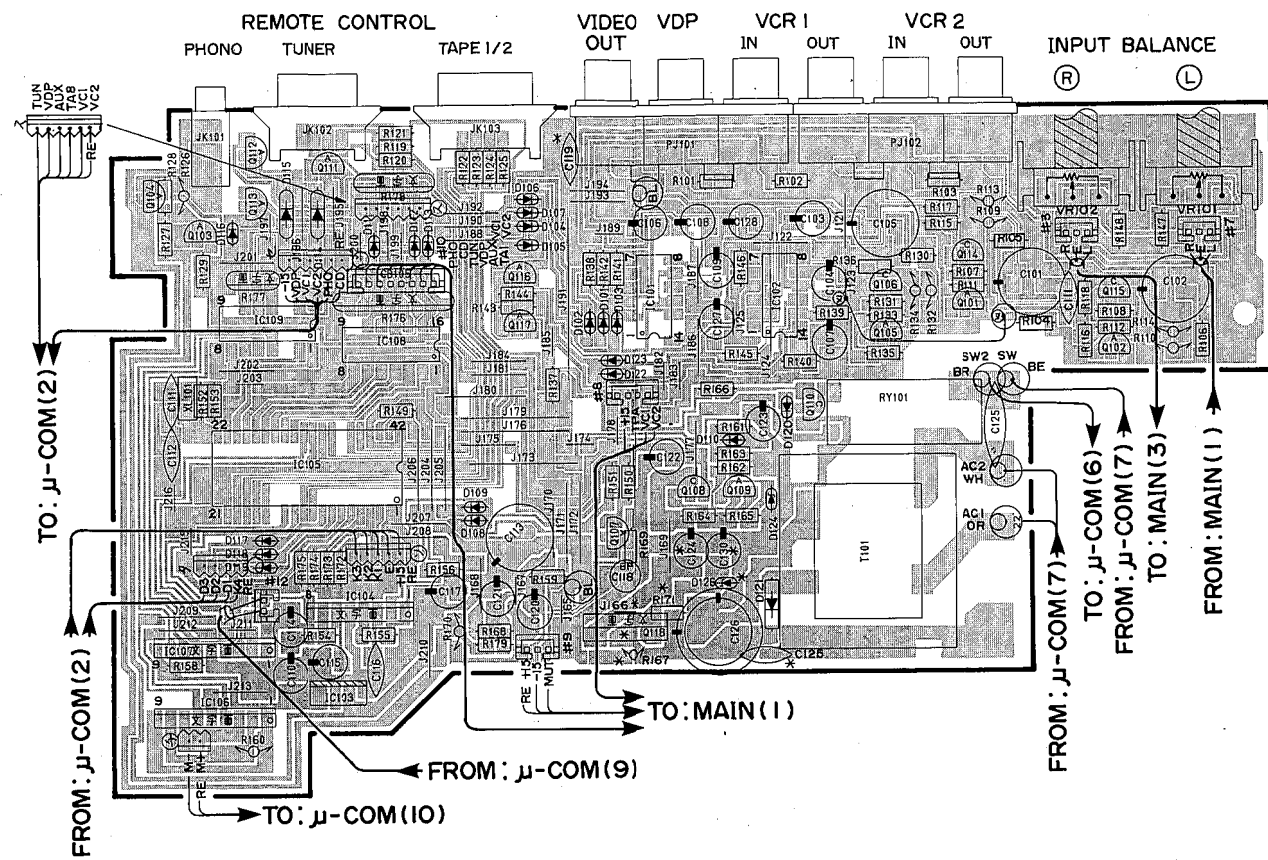
Main Circuit Board (3)



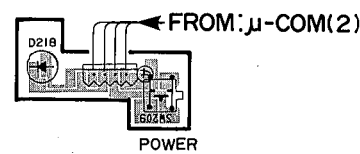
PRINTED CIRCUIT BOARD (Pattern side)

Note) 文字面 : Component side

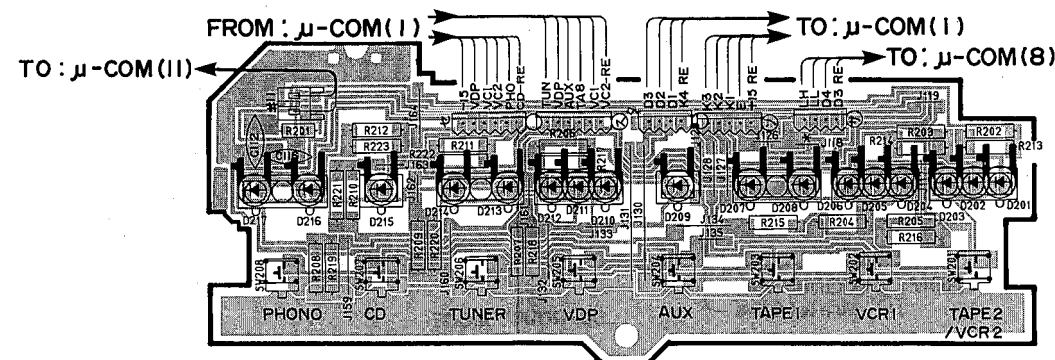
μCOM Circuit Board (1)



μCOM Circuit Board (8)



μCOM Circuit Board (2)

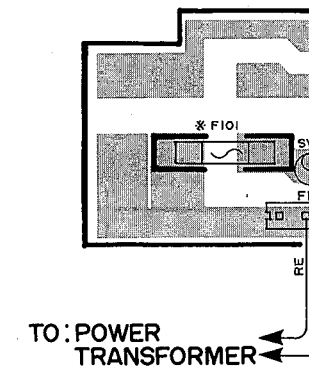


Note) * marked

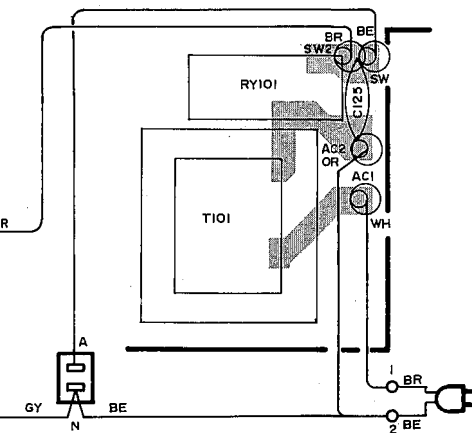
| | J | R | U, C | A, B | G |
|----------------|------------|------------|---------|-------------|-------------|
| R171 | OPEN | 18K | OPEN | OPEN | OPEN |
| R167 | OPEN | OPEN | OPEN | 1.2K | 1.2K |
| J166 | SHORT | OPEN | SHORT | SHORT | SHORT |
| Q118 | OPEN | 2SD1090 | OPEN | OPEN | OPEN |
| C124 | OPEN | 10/16 | OPEN | OPEN | OPEN |
| C130 | OPEN | 47/16 | OPEN | OPEN | OPEN |
| D126 | OPEN | MTZ12B | OPEN | OPEN | OPEN |
| J118 | OPEN | OPEN | OPEN | SHORT | SHORT |
| F102 | OPEN | T3.5A 250V | OPEN | OPEN | OPEN |
| F101 | T7.0A 250V | T7.0A 250V | 7A 125V | T3.15A 250V | T3.15A 250V |
| F301, 302 | T6.0A 250V | T6.0A 250V | 6A 125V | T6.3A 250V | T6.3A 250V |
| C119, 303, 307 | OPEN | OPEN | OPEN | OPEN | 0.01 |
| C125 | OPEN | OPEN | OPEN | OPEN | 0.022 |
| J217 | OPEN | OPEN | OPEN | OPEN | SHORT |

A.G.B MODELS

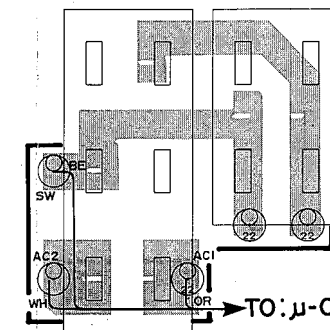
μCOM Circuit Board (6)



μCOM Circuit Board (1)

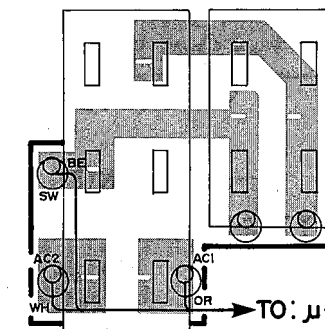


J.U.C MODELS

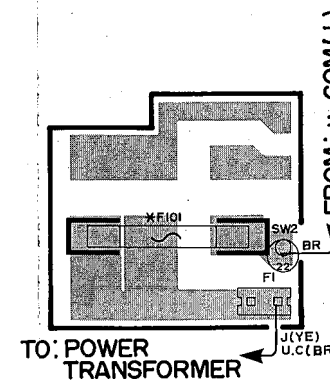


μCOM Circuit Board (7)

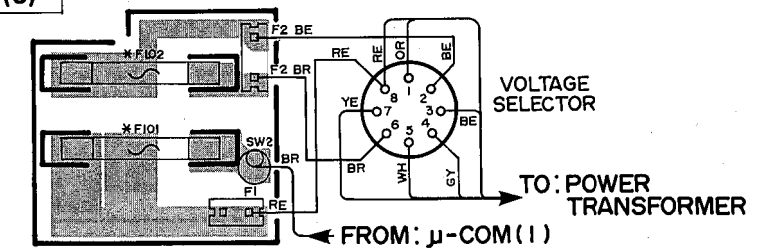
R MODEL



μCOM Circuit Board (6)

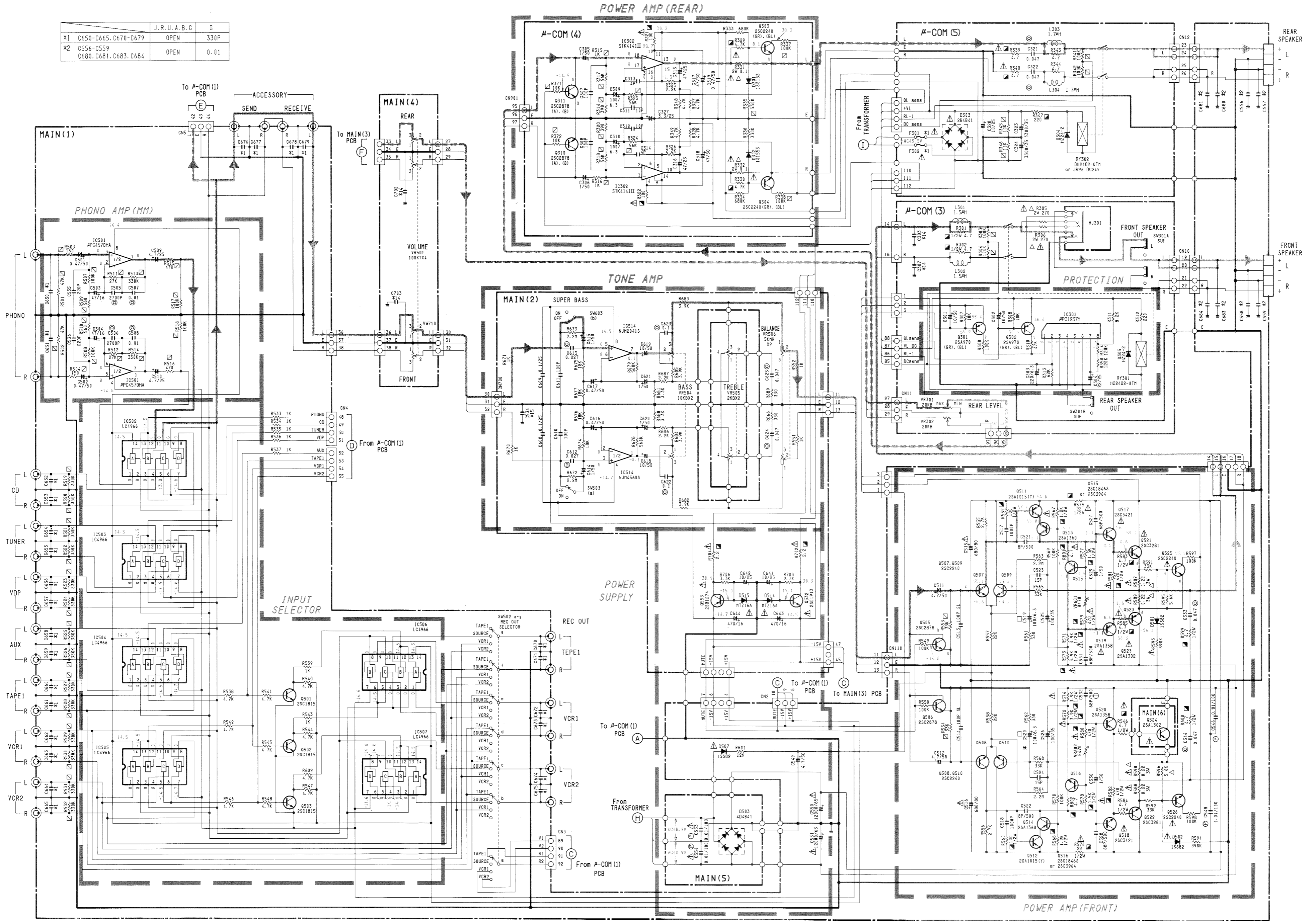


μCOM Circuit Board (6)



SCHEMATIC DIAGRAM(1/2)

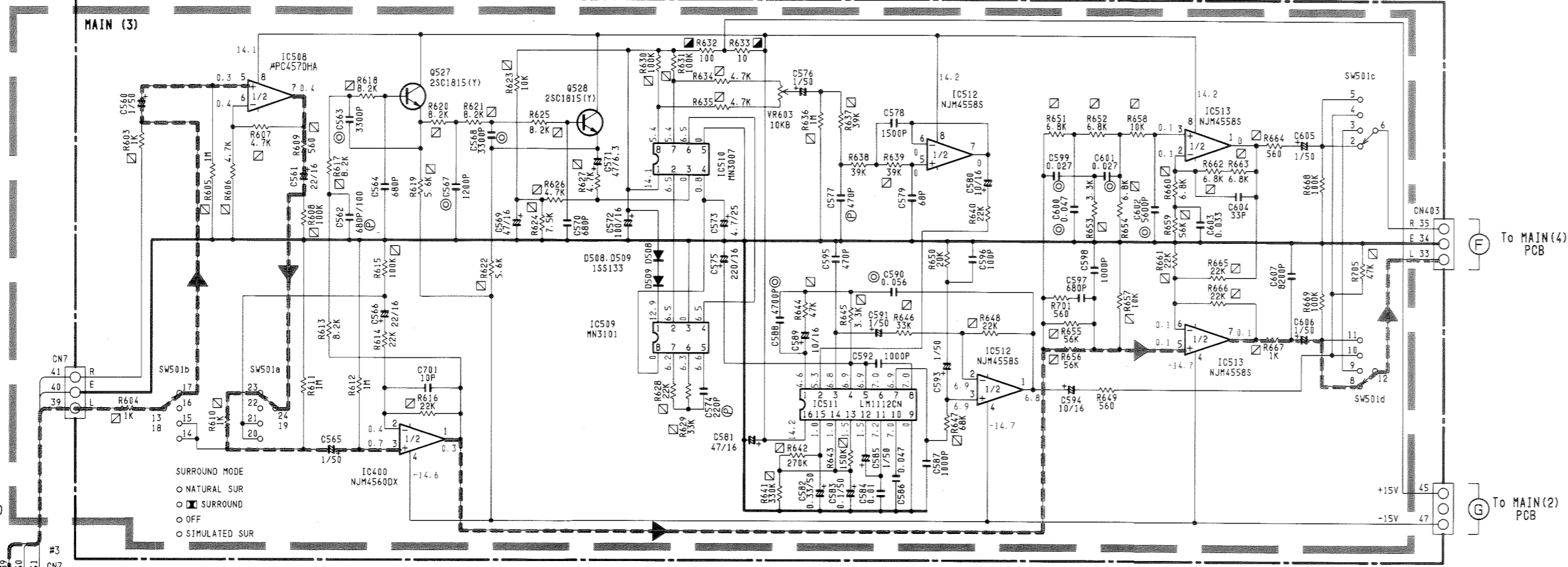
| | J.R.U.A.B.C | G |
|----|-----------------------------------|-----------|
| *1 | C650-C665, C670-C679 | OPEN 330P |
| *2 | C556-C559, C680, C681, C683, C684 | OPEN 0.01 |



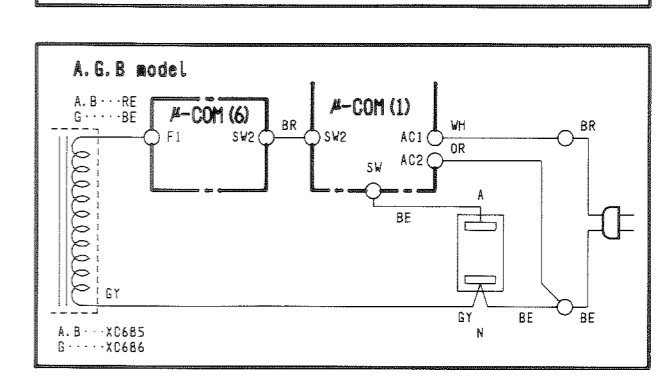
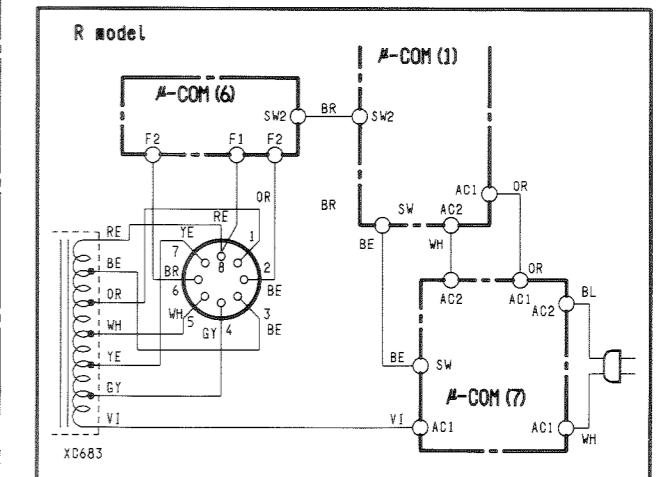
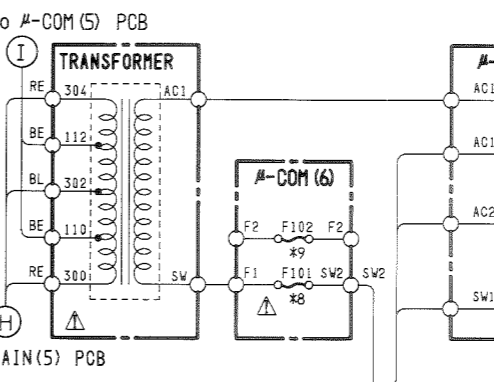
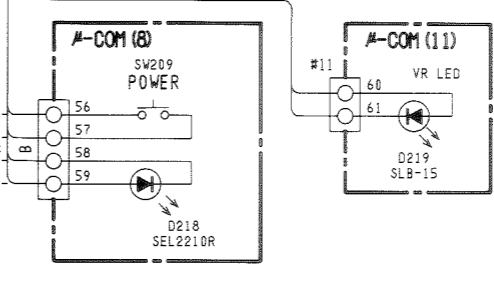
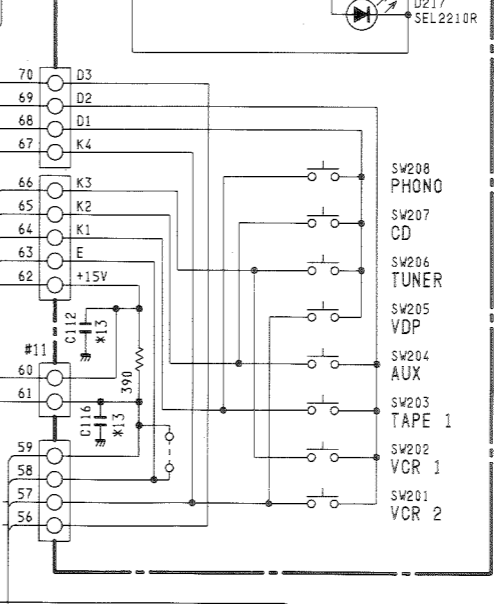
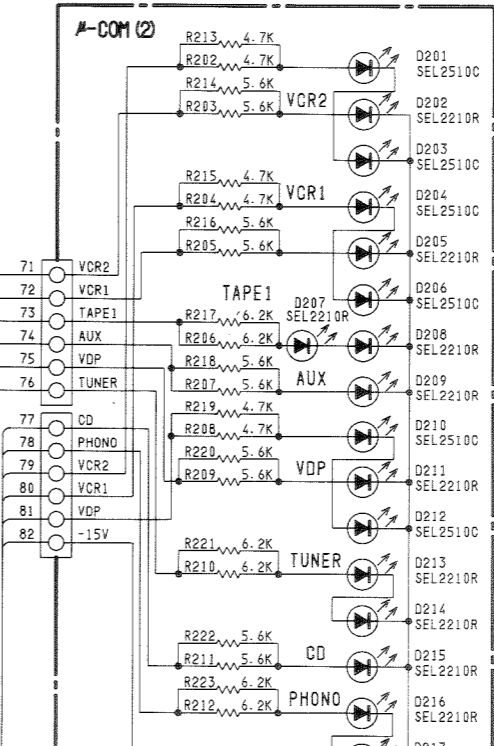
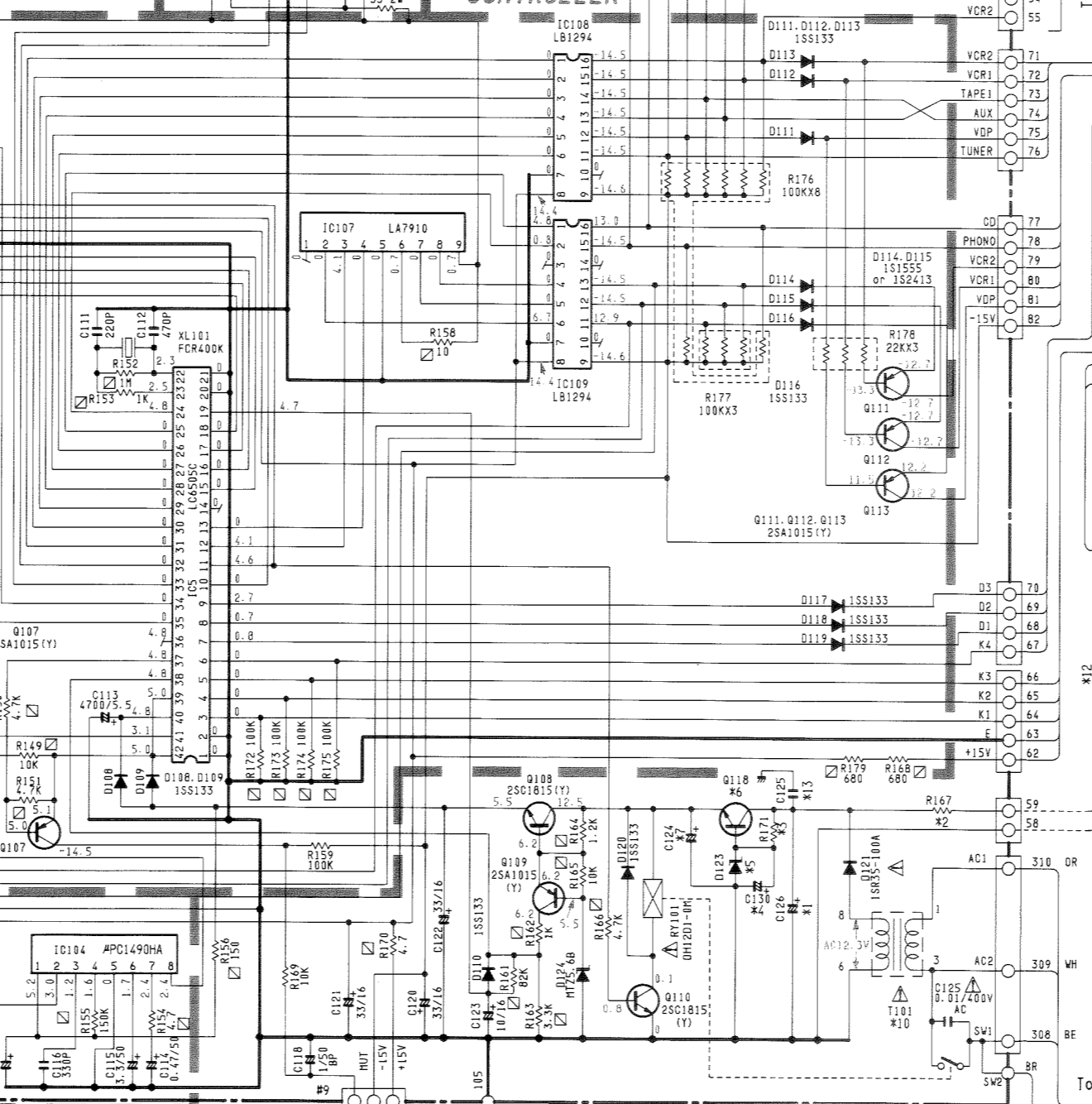
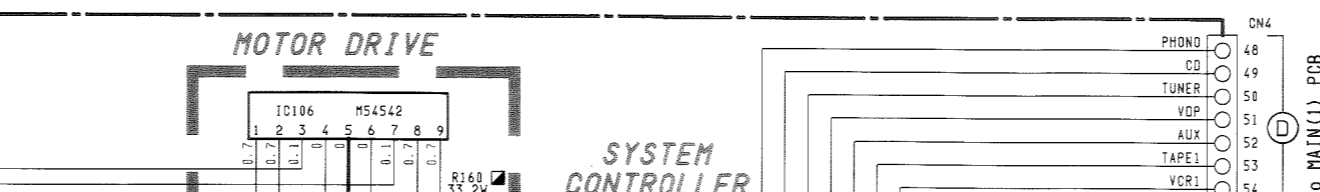
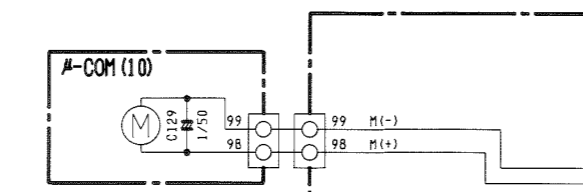
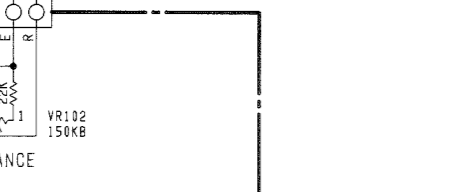
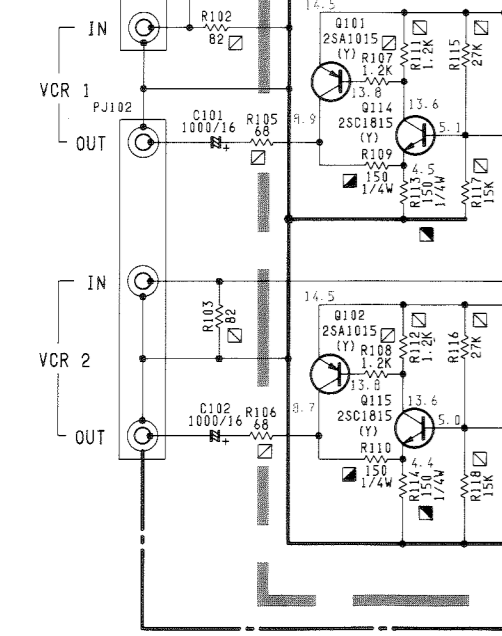
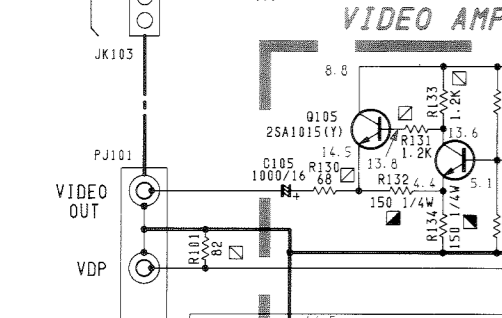
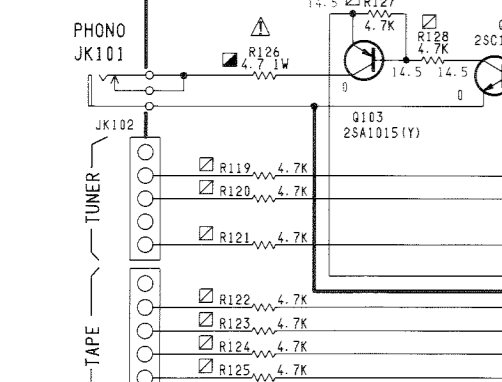
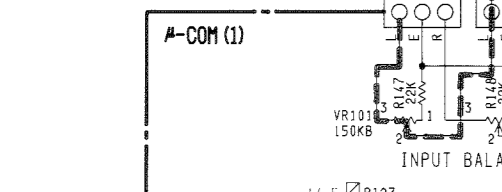
* All voltages are measured with a 10MΩ/DC electric volt meter.
 * Components having special characteristics are marked with a triangle symbol and must be replaced with parts having specifications equal to those originally installed.
 * Schematic diagram is subject to change without notice.

SCHEMATIC DIAGRAM (2/2)

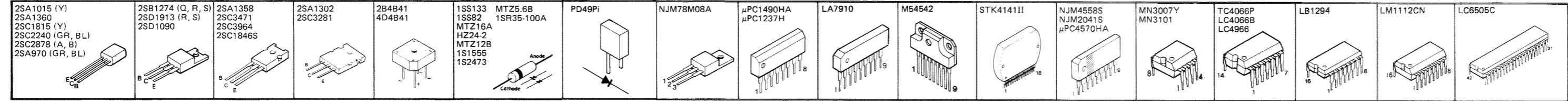
SURROUND PROCESSOR



| | R | J | U.C | A, B | G |
|------------------------------|------------|--------|---------|-------------|--------|
| #1 C126 | 470/63 | 470/25 | | | |
| #2 R167 | OPEN | | | 1.2K | |
| #3 R171 | 10K | OPEN | | | |
| #4 C130 | 47/16 | OPEN | | | |
| #5 C123 | HZ12A3 | OPEN | | | |
| #6 Q118 | 2SD1090 | SHORT | | | |
| #7 C124 | 10/16 | OPEN | | | |
| #8 F101 | T7.0A 250V | | 7A 125V | T3.15A 250V | |
| #9 F102 | T3.5A 250V | OPEN | | | |
| #10 T101 | X0802 | X0542 | X0803 | X0804 | |
| #11 J201 | OPEN | | | SHORT | |
| #12 | B | | | A | |
| #13 C112, 114, 125 | OPEN | | | | 0.222 |
| #14 C119, 303, 307, 702, 703 | OPEN | | | | 0.01 |
| #15 C534 | OPEN | | | | 0.1/25 |



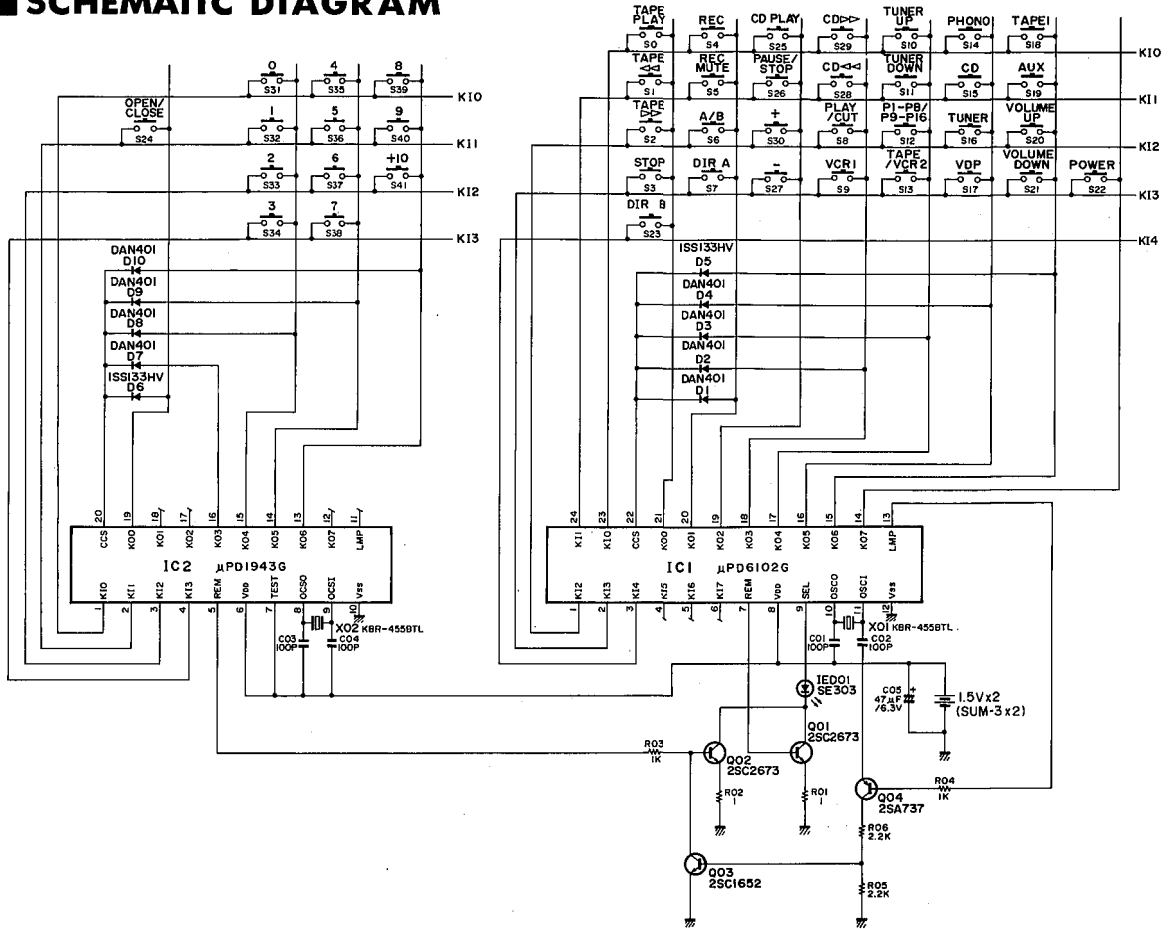
PIN CONNECTION DIAGRAM OF TRANSISTORS, DIODES AND ICs.



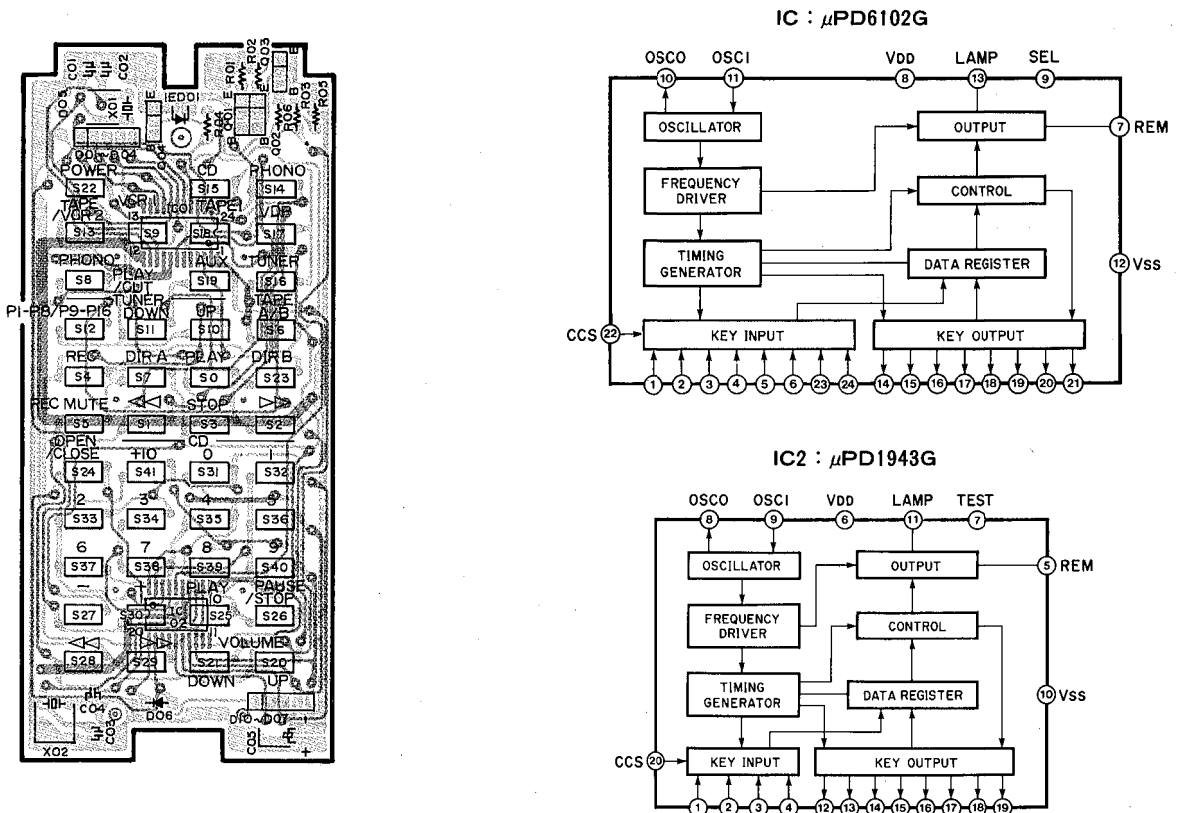
All voltages are measured with a 10MΩ/DC electric volt meter.
 Components having special characteristics are marked Δ and must be replaced with parts having specifications equal to those originally installed.
 Schematic diagram is subject to change without notice.

RS-AVC30 REMOTE CONTROL TRANSMITTER

SCHEMATIC DIAGRAM



PRINTED CIRCUIT BOARD (Pattern side)



AVC-30/30U/
AV-34

PARTS LIST

ELECTRICAL PARTS

WARNING

Components having special characteristics are marked Δ and must be replaced with parts having specifications equal to those originally installed.

• Carbon resistors (1/6W or 1/4W) are not included in the ELECTRICAL PARTS list. For the parts No. of the carbon resistor, refer to p. 29.

| Ref. No. | Part No. | Description | 部 品 名 | Remarks | Common Model | Markets | ランク |
|----------|-------------|---|-------------------|---|--------------|-------------|-----|
| ※ | NA 09 46 60 | Main Circuit Board | メ イン シ ー ト | | | J,R,U,A,C,B | |
| ※ | NA 09 46 70 | " | " | | | G | |
| | FG 21 11 00 | Ceramic Cap. 10pF 50V | セ ラ コ ン | C701 | | | |
| | FG 21 11 50 | " 15pF 50V | " | C523, 524 | | | |
| | FG 21 13 30 | " 33pF 50V | " | C604 | | | |
| | FG 21 16 80 | " 68pF 50V | " | C579 | | | |
| | FG 21 21 00 | " 100pF 50V | " | C513, 514, 596, 610, 611 | | | |
| | FG 21 22 20 | " 220pF 50V | " | C535, 536 | | J,R,U,A,C,B | |
| | FG 21 23 30 | " 330pF 50V | " | " | | G | |
| | FG 21 22 20 | " 220pF 50V | " | C693, 694 | | G | |
| | FG 21 21 00 | " 100pF 50V | " | C650, 651 | | G | |
| | FG 21 24 70 | " 470pF 50V | " | C652~665, 670~679 | | G | |
| | FG 21 24 70 | " 470pF 50V | " | C595 | | | |
| | FG 21 26 80 | " 680pF 50V | " | C564, 570, 597 | | | |
| | FG 21 31 00 | " 1000pF 50V | " | C517, 518, 587, 592, 598 | | | |
| | FG 71 38 20 | " 8200pF 50V | " | C607 | | | |
| | FG 44 41 00 | " 0.01 μ F 50V | " | C584 | | | |
| | FG 44 42 20 | " 0.022 μ F 50V | " | C685, 686, 702, 703 | | G | |
| | FG 74 43 30 | " 0.033 μ F 50V | " | C680, 681, 683, 384 | | G | |
| | FU 35 08 00 | Mica Cap. 8pF 500V | マ イ カ コ ン | C521, 522 | | | |
| | FU 35 16 80 | " 68pF 500V | " | C527, 528, 531, 532 | | | |
| | VC 40 70 00 | Electrolytic Cap. 12000 μ F 65V | ブ ロ ッ ク ケ ミ コ ン | C550, 551 | | | |
| | FZ 00 41 30 | Semiconductive Ceramic Cap. 0.1 μ F 25V | 半 導 体 セ ラ コ ン | C608, 609 | | | |
| | FZ 00 41 30 | " 0.1 μ F 25V | " | C534, 556~559, 687~691 | | G | |
| | FZ 00 54 10 | Electrolytic Cap. 100 μ F 6.3V | ブ ラ ッ ク ゲ ー ト コ ン | C519, 520 | | | |
| | FA 15 31 20 | Mylar Cap. 1200pF 50V | マ イ ラ ー コ ン | C567 | | | |
| | FA 15 31 50 | " 1500pF 50V | " | C578 | | | |
| | FA 15 32 70 | " 2700pF 50V | " | C505, 506 | | | |
| | FA 15 33 30 | " 3300pF 50V | " | C563, 568 | | | |
| | FA 15 34 70 | " 4700pF 50V | " | C588 | | | |
| | FA 15 35 60 | " 5600pF 50V | " | C602 | | | |
| | FA 15 41 00 | " 0.01 μ F 50V | " | C507, 508 | | | |
| | FA 15 42 70 | " 0.027 μ F 50V | " | C599, 601, 612, 613 | | | |
| | FA 15 43 30 | " 0.033 μ F 50V | " | C603 | | | |
| | FA 15 44 70 | " 0.047 μ F 50V | " | C533, 544, 586, 600, 624, 625 | | | |
| | FA 15 45 60 | " 0.056 μ F 50V | " | C590 | | | |
| | FA 15 51 00 | " 0.1 μ F 50V | " | C622, 623 | | | |
| | UJ 11 74 70 | Electrolytic Cap. 47 μ F 6.3V | ケ ミ コ ン | C571 | | | |
| | UJ 13 71 00 | " 10 μ F 16V | " | C580, 589, 594 | | | |
| | UJ 13 72 20 | " 22 μ F 16V | " | C561, 566 | | | |
| | UJ 13 74 70 | " 47 μ F 16V | " | C503, 504, 569, 581 | | | |
| | UJ 13 81 00 | " 100 μ F 16V | " | C572 | | | |
| | UJ 13 82 20 | " 220 μ F 16V | " | C575 | | | |
| | UJ 14 64 70 | " 4.7 μ F 25V | " | C509, 510, 573 | | | |
| | UJ 14 71 00 | " 10 μ F 25V | " | C641, 642 | | | |
| | UJ 16 51 00 | " 0.1 μ F 50V | " | C583 | | | |
| | UJ 16 53 30 | " 0.33 μ F 50V | " | C582 | | | |
| | UJ 16 54 70 | " 0.47 μ F 50V | " | C501, 502, 616, 617 | | | |
| | UJ 16 61 00 | " 1 μ F 50V | " | C529, 530, 560, 565, 576, 585, 591, 593, 605, 606, 614, 615, 620, 621 | | | |
| | UJ 16 64 70 | " 4.7 μ F 50V | " | C511, 512, 549 | | | |
| | UJ 16 71 00 | " 10 μ F 50V | " | C618, 619 | | | |
| | UW 83 84 70 | " 470 μ F 16V | " | C643, 644 | | | |
| | UW 85 81 00 | " 100 μ F 35V | " | C525, 526 | | | |

※New Parts (新規部品)

AVC-30/30U/AV-34

| Ref. No. | Part No. | Description | 部 品 名 | Remarks | Common Model | Markets | ランク |
|----------|-------------|-----------------------------|--------------------|---------------------|--------------------------------------|---------|-----|
| | UW 88 86 80 | Electrolytic Cap. | 680 μ F 80V | ケ ミ コ ン | C515,516 | | |
| | UT 45 22 20 | Polypropylene Film Cap. | 220pF 100V | ポ リ プ ロ コ ン | C574 | | |
| | UT 45 24 70 | // | 470pF 100V | // | C577 | | |
| | UT 45 26 80 | // | 680pF 100V | // | C562 | | |
| | UT 45 41 00 | // | 0.01 μ F 100V | // | C546,548,553,554 | | |
| | UT 45 44 70 | // | 0.047 μ F 100V | // | C692 | G | |
| | HJ 35 53 30 | Carbon Resistor | 330 Ω 1/4W | カ ー ボ ン 抵 抗 | R561,562,688,689 | | |
| | HJ 35 55 60 | // | 560 Ω 1/4W | // | R649 | | |
| | HJ 35 61 00 | // | 1k Ω 1/4W | // | R533~537,539,543, 549~552,670,671 | | |
| | HJ 35 62 20 | // | 2.2k Ω 1/4W | // | R686,687 | | |
| | HJ 35 62 70 | // | 2.7k Ω 1/4W | // | R555,556,703 | | |
| | HJ 35 63 30 | // | 3.3k Ω 1/4W | // | R680,681,706 | | |
| | HJ 35 63 90 | // | 3.9k Ω 1/4W | // | R682~685 | | |
| | HJ 35 64 70 | // | 4.7k Ω 1/4W | // | R538,540~542, 544~548,602 | | |
| | HJ 35 65 60 | // | 5.6k Ω 1/4W | // | R595,596 | | |
| | HJ 35 68 20 | // | 8.2k Ω 1/4W | // | R613 | | |
| | HJ 35 71 20 | // | 12k Ω 1/4W | // | R601 | | |
| | HJ 35 71 80 | // | 18k Ω 1/4W | // | R674~677 | | |
| | HJ 35 72 20 | // | 22k Ω 1/4W | // | R557,558,614,616 | | |
| | HJ 35 73 30 | // | 33k Ω 1/4W | // | R565,566,591,592 | | |
| | HJ 35 73 90 | // | 39k Ω 1/4W | // | R638 | | |
| | HJ 35 81 00 | // | 100k Ω 1/4W | // | R569,570,597,598,668,669 | | |
| | HJ 35 83 90 | // | 390k Ω 1/4W | // | R593,594 | | |
| | HJ 35 85 60 | // | 560k Ω 1/4W | // | R678,679 | | |
| | HJ 35 91 00 | // | 1M Ω 1/4W | // | R611,612 | | |
| | HJ 35 92 20 | // | 2.2M Ω 1/4W | // | R563,564,672,673 | | |
| | HV 45 32 20 | Flame Proof Carbon Resistor | 2.2 Ω 1/4W | 不 燃 化 カ ー ボ ン 抵 抗 | R702,704 | | |
| | HV 45 34 70 | // | 4.7 Ω 1/4W | // | R583~586,599,600, 801,802 | | |
| | HV 45 41 00 | // | 10 Ω 1/4W | // | R633 | | |
| | HV 45 42 20 | // | 22 Ω 1/4W | // | R575,576 | | |
| | HV 45 51 00 | // | 100 Ω 1/4W | // | R559,560,632 | | |
| | HV 45 54 70 | // | 470 Ω 1/4W | // | R579~582 | | |
| | HV 45 61 20 | // | 1.2k Ω 1/4W | // | R567,568 | | |
| | HV 45 62 20 | // | 2.2k Ω 1/4W | // | R577,578 | | |
| | HV 45 63 90 | // | 3.9k Ω 1/4W | // | R571~574 | | |
| | HL 93 22 20 | Metal Oxide Film Resistor | 0.22 Ω 3W | 酸 金 抵 抗 | R587~590 | | |
| | VB 86 10 00 | Pre-Set Potentiometer | B470 Ω | 半 固 定 抵 抗 | VR601,602 | | |
| | VB 86 12 00 | // | B2.2k Ω | // | VR603 | | |
| ※ | VD 69 11 00 | Potentiometer | 100KY \times 4 | モ ー タ ー 付 ボ リ ュ ー ム | VR510 | | |
| ※ | VD 27 09 00 | // | 2KB \times 2 | 可 変 抵 抗 器 | VR505 | | |
| ※ | VD 27 10 00 | // | 5KMN | // | VR506 | | |
| ※ | VD 27 11 00 | // | 10KB \times 2 | // | VR504 | | |
| | IA 10 15 21 | Transistor | 2SA1015(Y) | ト ラ ン ジ ス タ | Q511,512 | | |
| | IA 13 60 00 | // | 2SA1360 | // | Q513,514 | | |
| | VC 61 40 00 | // | 2SB1274(Q,R,S) | // | Q533 | | |
| | IC 18 15 20 | // | 2SC1815(Y) | // | Q501~503,527,528 | | |
| | IC 22 40 20 | // | 2SC2240(GR,BL) | // | Q507~510,525,526 | | |
| | IX 60 42 00 | // | 2SC2878(A,B) | // | Q505,506 | | |
| | VC 40 79 00 | // | 2SD1913(R,S) | // | Q532 | | |
| | IX 60 85 10 | // | 2SA1358 | // | Q519,520 | | |

※New Parts (新規部品)

AVC-30/30U/AV-34

AVC-30/30U/
AV-34

| Ref. No. | Part No. | Description | 部 品 名 | Remarks | Common Model | Markets | ランク |
|----------|-------------|----------------------------|-----------------|---------------|--------------|-------------|-----|
| | iX 60 85 20 | Transistor | 2SC3421 | ト ラ ン ジ ス タ | Q517,518 | | |
| | iF 00 34 50 | Diode | ISS133 | ダ イ オ ー ド | D508,509 | | |
| | iF 00 14 00 | // | ISS82 | // | D501,502,507 | | |
| | iF 00 89 30 | Zener Diode | MTZ16A | ツェナーダイオード | D514,515 | | |
| | iH 00 11 60 | Diode Bridge | 4D4B4I | ダイオードブリッジ | D503 | | |
| | iG 03 75 00 | IC | MN310I | I C | IC509 | | |
| | iG 07 68 00 | // | NJM4558S | // | IC512,513 | | |
| | iG 07 69 00 | // | NJM2041S | // | IC514 | | |
| | iG 11 44 00 | // | LM1112CN | // | IC511 | | |
| | iG 14 93 00 | // | LC4966 | // | IC502~507 | | |
| | XB 24 70 01 | // | μPC4570HA | // | IC501,508 | | |
| | XC 10 30 01 | // | MN3007Y | // | IC510 | | |
| ※ | VD 26 97 00 | Remote Rotary Switch | 8-4 | リモートロータリースイッチ | SW502 | | |
| ※ | VD 26 98 00 | Rotary Slide Switch | 4-4 | ロータリースライドスイッチ | SW501 | | |
| ※ | VD 35 73 00 | Push Switch | 2-2NS | プッシュスイッチ | SW503 | | |
| ※ | VD 27 13 00 | Pin Jack | 6P | ピンジャック | PJ501 | | |
| ※ | VD 35 74 00 | // | 4P | // | PJ502~506 | | |
| | VD 00 46 00 | Base Pin | 3P i-Type | P H ベースピン | CB503 | | |
| | LB 91 80 30 | // | 3P i-Type | X H ベースピン | CB504 | | |
| | LB 91 80 40 | // | 4P i-Type | // | CB501 | | |
| | LB 91 80 50 | // | 5P i-Type | // | CB502 | | |
| | VB 84 59 00 | Push Terminal | 8P | プッシュターミナル | | J,R,U,A,C,B | |
| | VC 17 06 00 | // | 8P | // | | G | |
| ※ | LA 00 19 60 | Lapping Terminal | P=7.5 3P U-Type | U型ラッピング端子板 | | | |
| | VD 35 19 00 | Sub Heat Sink | | サブ放熱板 | | | |
| | Ei 33 00 66 | Binding Head Tapping Screw | 3×6 FCRM3-BI | バインドタッピングネジ | PACK | | |
| | BB 06 95 10 | Ground Plate | | ランド金具 | | | |
| | VD 35 33 00 | C-P Shield | | C-Pシールド | | | |
| | Ei 33 00 86 | Binding Head Tapping Screw | 3×8 FCRM3-BI | バインドタッピングネジ | PACK | | |

※New Parts (新規部品)

| Ref. No. | Part No. | Description | 部 品 名 | Remarks | Common Model | Markets | ランク |
|----------|-------------|-----------------------------|------------|-------------|--|-------------|-----|
| ※ | NA 09 47 00 | μ-COM Circuit Board | マイコンシート | | | J | |
| ※ | NA 09 47 10 | " | " | | | R | |
| ※ | NA 09 47 20 | " | " | | | U,C | |
| ※ | NA 09 47 30 | " | " | | | A,B | |
| ※ | NA 09 47 40 | " | " | | | G | |
| | FA 15 44 70 | Mylar Cap. | マイラーコン | 0.047μF 50V | C319,321,322 | | |
| | FI 41 41 00 | Ceramic Cap. | セラコン | 0.01μF | C125 | | |
| | FG 21 04 00 | " | " | 4pF 50V | C313,314 | | |
| | FG 21 11 00 | " | " | 10pF 50V | C311,312 | | |
| | FG 21 13 30 | " | " | 33pF 50V | C111 | | |
| | FG 21 21 00 | " | " | 100pF 50V | C307,308 | | |
| | FG 21 23 30 | " | " | 330pF 50V | C116 | | |
| | FG 21 24 70 | " | " | 470pF 50V | C112 | | |
| | FG 21 22 20 | " | " | 220pF 50V | C111 | | |
| | FG 44 41 00 | " | " | 0.01μF 50V | C119,303,307 | G | |
| | FG 44 42 20 | " | " | 0.022μF 50V | C112,116 | | |
| | FG 44 42 20 | " | " | 0.022μF 50V | C125 | G | |
| | UJ 11 81 00 | Electrolytic Cap. | ケミコン | 100μF 6.3V | C309,310 | | |
| | UJ 11 82 20 | " | " | 220μF 6.3V | C303 | | |
| | UJ 13 71 00 | " | " | 10μF 16V | C110,117,123 | | |
| | UJ 13 71 00 | " | " | 10μF 16V | C124 | R | |
| | UJ 13 73 30 | " | " | 33μF 16V | C103,104,106~109, 120~122,127,128 | | |
| | UJ 13 74 70 | " | " | 47μF 16V | C130 | R | |
| | UJ 24 63 30 | " | " | 3.3μF 25V | C327 | | |
| | UJ 14 71 00 | " | " | 10μF 25V | C328 | | |
| | UJ 14 74 70 | " | " | 47μF 25V | C315,316 | | |
| | UJ 16 54 70 | " | " | 0.47μF 50V | C114 | | |
| | UJ 16 61 00 | " | " | 1μF 50V | C305,306 | | |
| | UJ 46 63 30 | " | " | 3.3μF 50V | C115 | | |
| | UJ 16 71 00 | " | " | 10μF 50V | C301,302 | | |
| | UJ 16 74 70 | " | " | 47μF 50V | C317,318 | | |
| | FM 11 61 00 | " | B P コン | 1μF 50V | C118,129 | | |
| | UM 05 72 20 | " | オーディオケミコン | 22μF 25V | C304 | | |
| | UW 83 91 00 | " | ケミコン | 1000μF 16V | C101,102,105 | | |
| | UW 84 84 70 | " | " | 470μF 25V | C126 | J,U,A,G,C,B | |
| | UW 87 84 70 | " | " | 470μF 63V | " | R | |
| | FJ 25 93 30 | " | " | 3300μF 35V | C323,324 | | |
| | VB 17 01 00 | " | バックアップケミコン | 4700μF 5.5V | C113 | | |
| | GD 90 04 70 | Output Coil | アウトプットコイル | 1.7μH | L301~304 | | |
| | GG 00 07 00 | Ceramic Resonator | セラミック振動子 | FCR400K | XL101 | | |
| | HJ 35 62 20 | Carbon Resistor | カーボン抵抗 | 2.2kΩ 1/4W | R325,326 | | |
| | HJ 35 64 70 | " | " | 4.7kΩ 1/4W | R202,204,208,213,215, 219,327,328,348,349 | | |
| | HJ 35 65 60 | " | " | 5.6kΩ 1/4W | R203,205,207,209,211, 214,216,218,220,222 | | |
| | HK 35 66 20 | " | " | 6.2kΩ 1/4W | R206,210,212,217,221,223 | | |
| ※ | VD 27 01 00 | Resistor Network | 抵抗ネットワーク | 100kΩ×8 | R176 | | |
| ※ | VD 27 02 00 | " | " | 100kΩ×3 | R177 | | |
| ※ | VD 27 03 00 | " | " | 22kΩ×3 | R178 | | |
| | HL 92 21 00 | Metal Oxide Film Resistor | 酸化金抵抗 | 0.1Ω 2W | R331,332 | | |
| | HL 32 52 70 | " | " | 270Ω 2W | R305,306 | | |
| | HV 45 34 70 | Flame Proof Carbon Resistor | 不燃化カーボン抵抗 | 4.7Ω 1/4W | R126,170,301,302, 339,340,343,344 | | |

※New Parts (新規部品)

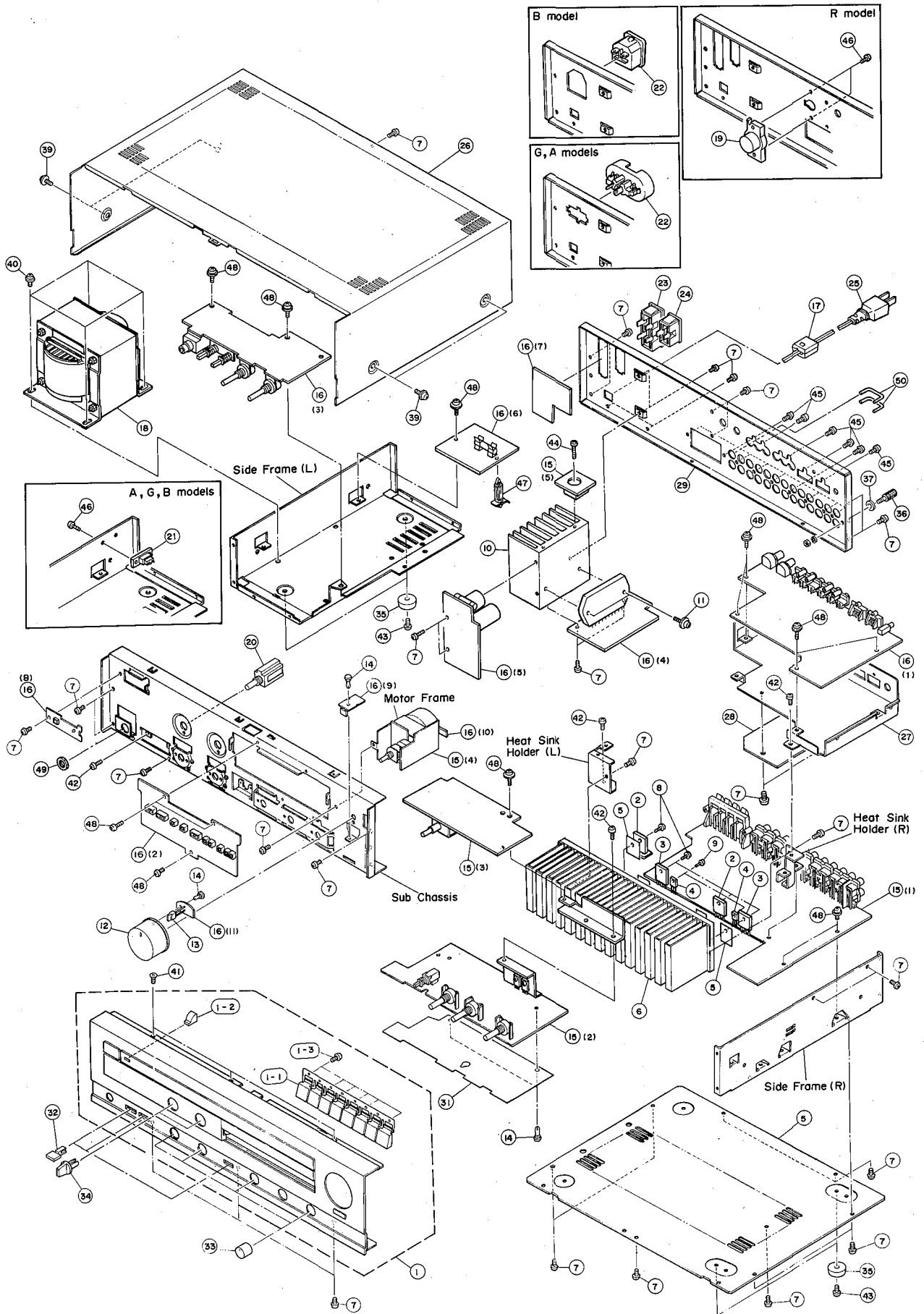
AVC-30/30U/AV-34

AVC-30/30U/
AV-34

| Ref. No. | Part No. | Description | 部 品 名 | Remarks | Common Model | Markets | ランク |
|----------|-------------|-----------------------------|----------------|---------------------|--|--------------------|-----|
| | HV 45 43 30 | Flame Proof Carbon Resistor | 33Ω 1/4W | 不燃化カーボン抵抗 | R160 | | |
| | HV 45 51 00 | // | 100Ω 1/4W | // | R321,322 | | |
| | HV 45 51 50 | // | 150Ω 1/4W | // | R109,110,113,114,132,134 | | |
| | HV 45 52 20 | // | 220Ω 1/4W | // | R312,347 | | |
| | HV 45 61 20 | // | 1.2kΩ 1/4W | // | R167 | A,G,B | |
| | HV 45 64 70 | // | 4.7kΩ 1/4W | // | R329,330 | | |
| ※ | VD 27 07 00 | Potentiometer | 20KB | 可 変 抵 抗 器 | VR301,302 | | |
| ※ | VD 27 08 00 | // | 150KB | // | VR101,102 | | |
| | iA 09 70 00 | Transistor | 2SA970(GR,BL) | ト ラ ン ジ ス タ | Q301,302 | | |
| | iA 10 15 21 | // | 2SA1015(Y) | // | Q101~103,105,107,109, 111~113,116,117 | | |
| | iC 18 15 20 | // | 2SC1815(Y) | // | Q104,106,108,110,114,115 | | |
| | iC 22 40 00 | // | 2SC2240(GR,BL) | // | Q303,304 | | |
| | iX 60 42 00 | // | 2SC2878(A,B) | // | Q310,311 | | |
| ※ | VD 36 74 00 | // | 2SD1090 | // | Q118 | R | |
| | iF 00 19 40 | Zener Diode | HZ24-2 | ツェナーダイオード | D304,305 | | |
| | iF 00 88 60 | // | MTZ12B | // | DI26 | R | |
| | iF 00 00 40 | Diode | 1S1555 | ダ イ オ ー ド | DI14,115 | } Inter-changeable | |
| | iF 00 06 70 | // | 1S2473 | // | // | | |
| | iF 00 34 50 | // | 1SS133 | // | D101~113,116~120, 122,123,301,302 | | |
| | iX 60 23 50 | Zener Diode | MTZ5.6B | ツェナーダイオード | DI24 | | |
| | iH 00 09 90 | Diode Bridge | 2B4B4I | ダイオードブリッジ | D303 | | |
| | iH 00 14 30 | Diode | 1SR35-100A | ダ イ オ ー ド | DI21 | | |
| | VC 63 79 00 | Photo Diode | PD49Pi | フ ォ ト ダ イ オ ー ド | DI25 | | |
| ※ | VD 27 04 00 | LED (Green) | SEL2510C | L E D | D201,203,204,206,210,212 | | |
| ※ | VD 27 05 00 | // (Red) | SEL2210R | // | D202,205,207~209, 211,213~218 | | |
| | iG 00 12 70 | IC | TC4066BP | I C | IC101,102 | } Inter-changeable | |
| | iG 08 92 00 | // | LC4066B | // | // | | |
| | iG 05 49 00 | // | M54542 | // | IC106 | | |
| | iG 14 48 00 | // | μPC1237H | // | IC301 | | |
| | XA 54 90 01 | // | LB1294 | // | IC108,109 | | |
| | XB 91 70 01 | // | LC6505C | // | IC105 | | |
| | XB 93 00 01 | // | LA7910 | // | IC107 | | |
| | XC 09 60 01 | // | μPC1490HA | // | IC104 | | |
| ※ | XC 78 70 01 | // | STK4141 II | // | IC302 | | |
| ※ | XC 77 30 01 | // | NJM78M08A | // | IC103 | | |
| | KA 90 55 70 | Tact Switch | | タ ク ト ス イ ッ チ | SW201~209 | | |
| ※ | VD 26 99 00 | Push Switch | 2-2NS | プ ッ シ ュ ス イ ッ チ | SW301 | | |
| | KC 00 19 10 | Relay | DH12D1-OM | リ レ ー | RY101 | | |
| | KC 00 19 40 | // | DH24D2-OTM | // | RY302 | | |
| | KC 00 20 20 | // | DH24D2-OTM | // | RY301 | | |
| ※ | VD 27 12 00 | Pin Jack | 3P | ピ ン ジャ ッ ク | PJ101,102 | | |
| ※ | VD 36 70 00 | Jack | φ3.5 | ジ ャ ッ ク | JK101 | | |
| ※ | VD 36 71 00 | // | φ6.3 | // | JK301 | | |
| | LB 50 07 10 | ST Connector Socket | 5P | S T コ ネ ク タ ソ ケ ッ ト | JK102 | | |
| | LB 60 83 90 | // | 6P | // | JK103 | | |

※New Parts (新規部品)

EXPLODED VIEW



MECHANISM PARTS

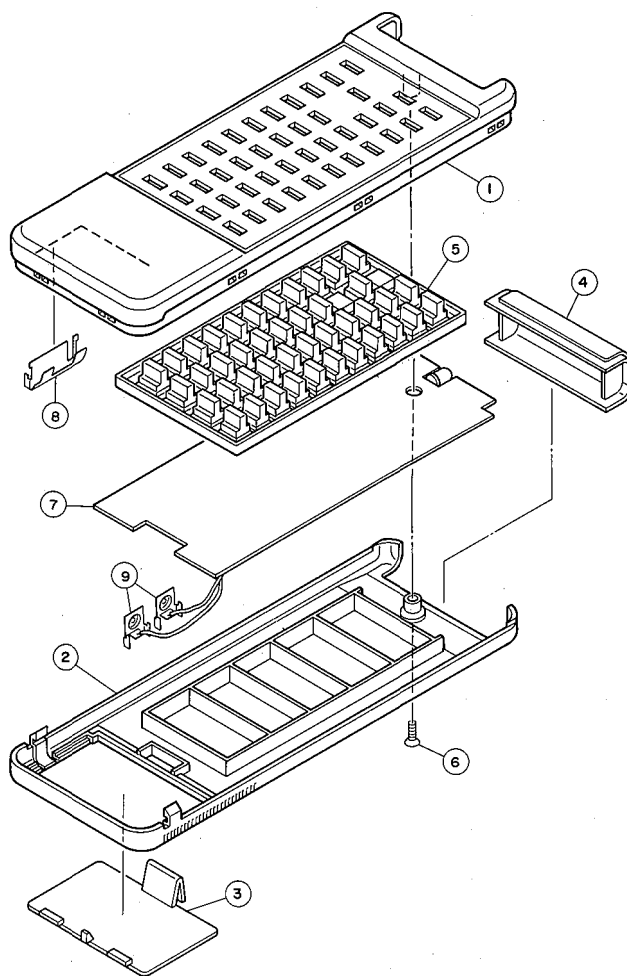
Note) φ : Diameter

AVC-30/30U/
AV-34

| Ref. No. | Part No. | Description | 部 品 名 | Remarks | Common Model | Markets | ランク |
|----------|----------|-------------|----------------------------|----------------------------|--------------|-------------|-----|
| ※ | 1 | VD 32:63:00 | Panel Unit | パネルユニット | AVC-30 | J | |
| ※ | // | VD 32:64:00 | // | // | AVC-30U | U,C | |
| ※ | // | VD 35:69:00 | // | // | AVC-30 | R,A,G,B | |
| ※ | // | VD 32:65:00 | // | // | AV-34 | | |
| | 1-1 | VD 35:26:00 | Button Ass'y | ボ タ ン Ass'y | INPUT | | |
| | 1-2 | CB 61:60:20 | Lens | レ ン ズ | | | |
| | 1-3 | EJ 02:60:56 | Pan Head Tapping Screw | 2.6×5 ZMC2-Y ナベタッピングネジ | PACK | | |
| | 2 | iX 80:14:20 | Transistor | 2SA1302 ト ラ ン ジ ス タ | Q523,524 | | |
| | 3 | iX 80:14:30 | // | 2SC3281 // | Q521,522 | | |
| | 4 | VC 39:81:00 | // | 2SC1846S // | Q515,516 | | |
| | 5 | VC 65:78:00 | Sheet | 放 熱 シ ー ト | | | |
| | 6 | VD 35:20:00 | Heat Sink | 放 熱 板 | | | |
| | 7 | Ei 33:00:66 | Binding Head Tapping Screw | 3× 6 FCRM3-BI バインドタッピングネジ | PACK | | |
| | 8 | EK 36:50:70 | BW Head Screw | 3×10 ZMC2-BI B W ヘッド小ネジ | | | |
| | 9 | EK 36:50:80 | // | 3× 8 ZMC2-BI // | | | |
| | 10 | VD 35:21:00 | Heat Sink | 放 熱 板 | | | |
| | 11 | EK 33:00:20 | BW Head Tapping Screw | 3×14 ZMC2-BI B Wヘッドタッピングネジ | | | |
| | 12 | VD 35:49:00 | Knob Ass'y | ツ マ ミ Ass'y | VOLUME | | |
| ※ | 13 | VD 27:06:00 | LED (Red) | SLB-15 | L E D | | |
| ※ | 14 | VB 66:92:00 | Plastic Rivet | | プラスチックリベット | | |
| ※ | 15 | NA 09:46:60 | Main Circuit Board | | メ イ ン シ ー ト | J,R,U,A,C,B | |
| ※ | // | NA 09:46:70 | // | // | // | G | |
| ※ | 16 | NA 09:47:00 | μ-COM Circuit Board | | マイコンシート | J | |
| ※ | // | NA 09:47:10 | // | // | // | R | |
| ※ | // | NA 09:47:20 | // | // | // | U,C | |
| ※ | // | NA 09:47:30 | // | // | // | A,B | |
| ※ | // | NA 09:47:40 | // | // | // | G | |
| ※ | 17 | VD 37:59:00 | Cord Stopper | 222Y2271-10 | コードストッパー | | |
| ※ | 18 | XC 68:20:01 | Power Transformer | | 電 源 ト ラ ン ス | J | △ |
| ※ | // | XC 68:30:01 | // | // | // | R | △ |
| ※ | // | XC 68:40:01 | // | // | // | U | △ |
| ※ | // | XC 68:50:01 | // | // | // | A,B | △ |
| ※ | // | XC 68:60:01 | // | // | // | G | △ |
| ※ | // | XC 68:70:01 | // | // | // | C | △ |
| ※ | 19 | VA 93:29:00 | Voltage Selector | ESE-37226 | 電 圧 切 換 器 | R | △ |
| ※ | 20 | VD 36:68:00 | Remote Switch | | リモートスイッチ | | |
| ※ | 21 | LA 00:29:50 | Terminal Board | 2P | 中 継 端 子 台 | A,G,B | |
| ※ | 22 | VC 62:61:00 | AC Outlet | 2P | A C アウトレット | A | △ |
| ※ | // | VC 62:70:00 | // | 2P | // | B | △ |
| ※ | // | VD 37:36:00 | // | 2P | // | G | △ |
| ※ | 23 | VD 26:94:00 | // | 3P | // | J,R,U,C | △ |
| ※ | 24 | VD 26:95:00 | // | 2P | // | J,R,U,C | △ |
| ※ | 25 | MG 00:18:10 | Power Cord | 7A 125V 2.2m | 電 源 コ ー ド | J | △ |
| ※ | // | MG 00:22:90 | // | 7A 125V 2m | // | J | △ |
| ※ | // | MG 00:16:30 | // | 6A 250V 2m | // | R | △ |
| ※ | // | MG 00:22:20 | // | 10A 125V 1.98m | // | U,C | △ |
| ※ | // | MG 00:09:20 | // | 7.5A 250V 2.5m | // | A | △ |
| ※ | // | MG 00:23:10 | // | 7.5A 250V 2m | // | A | △ |
| ※ | // | MG 00:16:20 | // | 2.5A 250V 2m | // | G | △ |
| ※ | // | MG 00:23:20 | // | 2.5A 250V 2m | // | G | △ |
| ※ | // | MG 00:18:60 | // | 2.5A 250V 2m | // | B | △ |
| ※ | 26 | VD 35:07:00 | Top Cover | | ト ッ プ カ バ ー | | |
| ※ | 27 | VD 35:17:00 | Shield Plate | | シ ー ル ド 板 | | |

※New Parts (新規部品)

EXPLODED VIEW (RS-AVC30)



| Ref. No. | Part No. | Description | 部品名 | Remarks | Common Model | Markets | ランク |
|----------|---------------|----------------------------|----------------|------------------------|--------------|---------|-----|
| ※ | VD 38 01 00 | Remote Control Transmitter | RS-AVC30 | リモートコントロール トランスミッター | | | |
| ※ | 1 CX 60 09 50 | Case(A) | | ケース (A) | | | |
| | 2 XX 67 77 20 | " (B) | | " (B) | | | |
| | 3 XX 67 77 30 | " (C) | | " (C) | | | |
| | 4 XX 67 16 40 | Filter | | フィルター | | | |
| ※ | 5 CX 60 04 40 | Rubber | | ゴム接点 | | | |
| | 6 EO 32 61 26 | Flat Head Tapping Screw | 2.6x12FCRM3-BI | 皿タッピングネジ | PACK | | |
| ※ | 7 NX 60 04 70 | P.C. Board Ass'y | | プリント基板 Ass'y | | | |
| | 8 XX 67 16 80 | Dry Cell Terminal A | | 電池電極板 A | | | |
| ※ | NX 60 04 70 | P.C. Board Ass'y | | プリント基板 Ass'y | | | |
| | iX 60 70 40 | IC | μPD6102G | I C | IC01 | | |
| | iX 60 16 00 | " | μPD1943G | " | I02 | | |
| | QX 60 00 40 | Ceramic Resonator | KBR-455BTL | セラミック振動子 | X01,02 | | |
| | FG 21 21 00 | Ceramic Cap. | 100pF 50V | セラコン | C01~04 | | |
| | UJ 11 74 70 | Electrolytic Cap. | 47μF 6.3V | ケミコン | C05 | | |
| | iC 26 73 00 | Transistor | 2SC2673 | トランジスタ | Q01,02 | | |
| | iX 60 36 10 | " | 2SC1652 | " | Q03 | | |
| | iA 09 37 00 | " | 2SA937 | " | Q04 | | |
| | iF 00 34 50 | Diode | ISS133 | ダイオード | D05,06 | | |
| | iF 00 76 40 | Diode Array | DAN401 | ダイオードアレイ | D01~04,07~10 | | |
| | 9 XX 67 16 90 | Dry Cell Terminal C | | 電池電極板 C | | | |
| ※ | iX 60 34 70 | I.E.D | SE303(Y) | I. E. D. | IED01 | | |

※New Parts (新規部品) NR

Parts List for Carbon Resistor

AVC-30/30U/
AV-34

| Value | 1/4W Type Part No. | 1/6W Type Part No. | Value | 1/4W Type Part No. | 1/6W Type Part No. |
|-------|--------------------|--------------------|-------|--------------------|--------------------|
| 1.0 Ω | HJ353100 | ※ | 12KΩ | HJ357120 | HF857120 |
| 1.8 " | HJ353180 | ※ | 15 " | HJ357150 | HF857150 |
| 2.2 " | HJ353220 | HF853220 | 18 " | HJ357180 | HF857180 |
| 3.3 " | HJ353330 | HF853330 | 22 " | HJ357220 | HF857220 |
| 4.7 " | HJ353470 | HF853470 | 27 " | HJ357270 | HF857270 |
| 5.6 " | HJ353560 | HF853560 | 33 " | HJ357330 | HF857330 |
| 10 " | HJ354100 | HF854100 | 39 " | HJ357390 | HF857390 |
| 15 " | HJ354150 | HF854150 | 47 " | HJ357470 | HF857470 |
| 22 " | HJ354220 | HF854220 | 56 " | HJ357560 | HF857560 |
| 27 " | HJ354270 | HF854270 | 68 " | HJ357680 | HF857680 |
| 33 " | HJ354330 | HF854330 | 82 " | HJ357820 | HF857820 |
| 39 " | HJ354390 | HF854390 | 91 " | HJ357910 | HF857910 |
| 47 " | HJ354470 | HF854470 | 100 " | HJ358100 | HF858100 |
| 56 " | HJ354560 | HF854560 | 120 " | HJ358120 | HF858120 |
| 68 " | HJ354680 | HF854680 | 150 " | HJ358150 | HF858150 |
| 82 " | HJ354820 | HF854820 | 180 " | HJ358180 | HF858180 |
| 100 " | HJ355100 | HF855100 | 220 " | HJ358220 | HF858220 |
| 110 " | HJ355110 | HF855110 | 270 " | HJ358270 | HF858270 |
| 120 " | HJ355120 | HF855120 | 330 " | HJ358330 | HF858330 |
| 150 " | HJ355150 | HF855150 | 390 " | HJ358390 | HF858390 |
| 160 " | HJ355160 | ※ | 470 " | HJ358470 | HF858470 |
| 180 " | HJ355180 | HF855180 | 560 " | HJ358560 | HF858560 |
| 220 " | HJ355220 | HF855220 | 680 " | HJ358680 | HF858680 |
| 270 " | HJ355270 | HF855270 | 820 " | HJ358820 | HF858820 |
| 330 " | HJ355330 | HF855330 | 1.0MΩ | HJ359100 | HF859100 |
| 390 " | HJ355390 | HF855390 | 1.2 " | HJ359120 | ※ |
| 470 " | HJ355470 | HF855470 | 1.5 " | HJ359150 | HF859150 |
| 510 " | ※ | HF855510 | 1.8 " | HJ359180 | HF859180 |
| 560 " | HJ355560 | HF855560 | 2.2 " | HJ359220 | HF859220 |
| 680 " | HJ355680 | HF855680 | 3.3 " | HJ359330 | HF859330 |
| 820 " | HJ355820 | HF855820 | 3.9 " | HJ359390 | ※ |
| 910 " | HJ355910 | HF855910 | 4.7 " | HJ359470 | ※ |
| 1.0KΩ | HJ356100 | HF856100 | | | |
| 1.2 " | HJ356120 | HF856120 | | | |
| 1.5 " | HJ356150 | HF856150 | | | |
| 1.8 " | HJ356180 | HF856180 | | | |
| 2.0 " | HJ356200 | HF856200 | | | |
| 2.2 " | HJ356220 | HF856220 | | | |
| 2.4 " | HJ356240 | HF856240 | | | |
| 2.7 " | HJ356270 | HF856270 | | | |
| 3.0 " | HJ356300 | HF856300 | | | |
| 3.3 " | HJ356330 | HF856330 | | | |
| 3.6 " | HJ356360 | HF856360 | | | |
| 3.9 " | HJ356390 | HF856390 | | | |
| 4.7 " | HJ356470 | HF856470 | | | |
| 5.1 " | HJ356510 | HF856510 | | | |
| 5.6 " | HJ356560 | HF856560 | | | |
| 6.8 " | HJ356680 | HF856680 | | | |
| 8.2 " | HJ356820 | HF856820 | | | |
| 9.1 " | HJ356910 | HF856910 | | | |
| 10 " | HJ357100 | HF857100 | | | |

